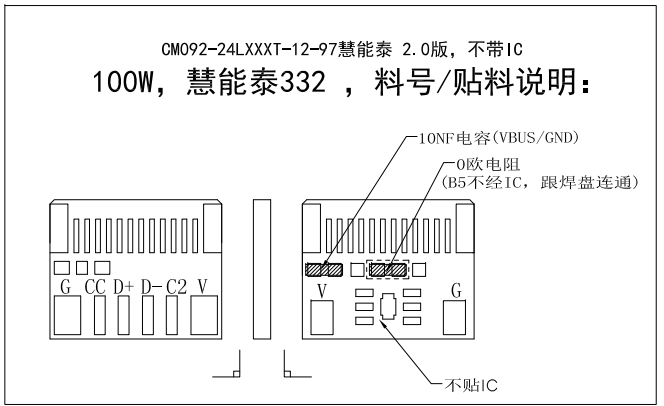
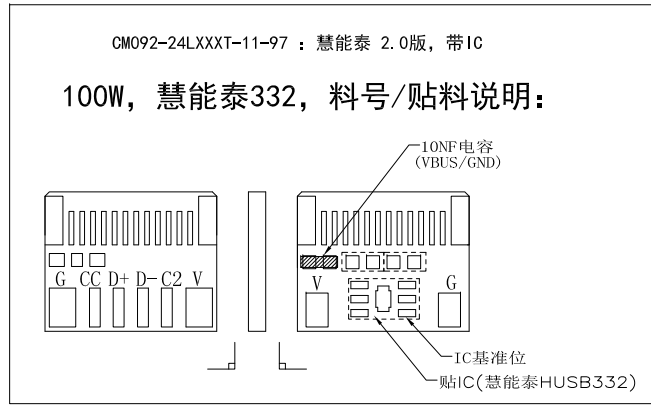
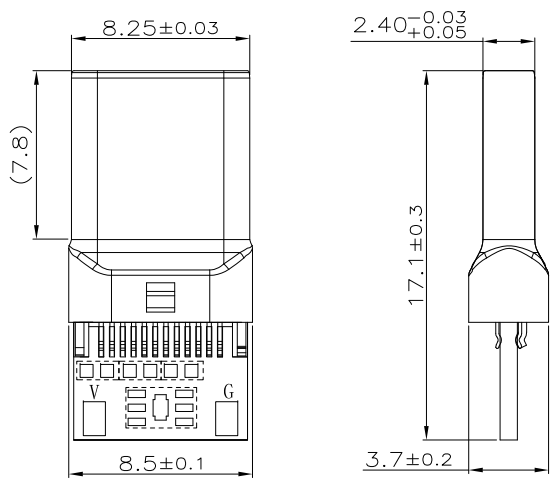
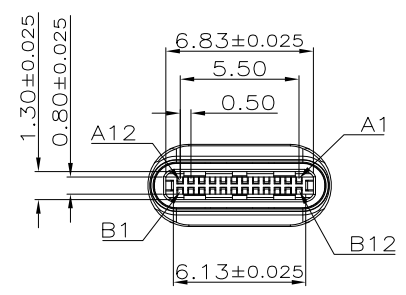


TYPE C协会TID NO. 2045

带芯片

不带芯片



备注:

1. 电性参数

电流: 5.0A Max,
接触电阻: 最初40mΩ Max,
寿命测试后变化±10
绝缘阻抗: 100MΩ Min
耐压: 100V AC

2. 机械参数

插入力: 5-20N MAX.
拔出力: 8-20N MIN.
耐久性: 10000 Cycles 500 cycles per hour

3. 沾锡性: 温度250±5°, 时间5±0.5s

PART NUMBER CODE:

C M 092 - 24 L X XX T - XX - 97
(1) (2) (3)

(1) HOUSING COLOR:

B:BLACK
W:WHITE

(2) CONTACTS PLATED:

01:半金锡1u"
04:半金锡15u"

(3) PCB SPEC:

11:慧能泰 2.0版, 带IC+双100NF电容
12:慧能泰 2.0版, 不带IC+100NF电容+0欧姆电阻
33:慧能泰 2.0版, 不带IC+100NF电容+0欧姆电阻

9	电容	2PCS	10NF/50V.0402
8	IC	1PCS	E-MARK芯片,慧能泰(332) DFN-6
7	PCB	1PCS	FR-4 PCB线路板 蓝油 T=0.8mm, 四层板
6	SPRING	1PCS	SUS 301 HV310-370;T=0.40. 微可焊螺
5	TERMINAL	24PCS	C7025 HV190-210;T=0.15,Au:浸1U,镀100u",鍍厚48H
4	EMI PLATE	2PCS	SUS 304 HV310-370;T=0.10
3	FRONT SHELL	1PCS	SUS 304/316 HV310-370;T=0.15,Ni 80u"鍍厚48H
2	EMI-Molding	2PCS	LCP+30%G.F UL94-V0
1	TERMINAL-Molding	2PCS	LCP+30%G.F UL94-V0
No.	NAME	Q'TY	MATERIAL

PART NO.: SEE THE PART NUMBER CODE		ZDT 深圳市中科兴达科技有限公司 SHENZHEN ZDT TECHNOLOGY CO.,LTD		DRAWN BY SAM	DATE 2016.08.10	
QUALITY SYMBOL 0 0 0 0 0	GENERAL TOLERANCES (UNLESS SPECIFIED)		TITLE USB 3.1 Type CM PD 100W 2.0版,带芯片			
	x.xxxxx	± ---	DWG.NO. CM092-24-97	SHEET NO. 1 OF 2	CHECKED BY JAY	DATE 2016.08.10
	x.xxx	± 0.10			APPROVED BY JACKY	DATE 2016.08.10
	x.xx	± 0.25				
	x.x	± 0.30				
ANGULAR	± ---°					
DIMENSION STYLE MM ONLY		DESIGN UNITS METRIC	SCALE 1:1			
THIRD ANGLE PROJECTION						

10

9

8

7

6

5

4

3

2

1

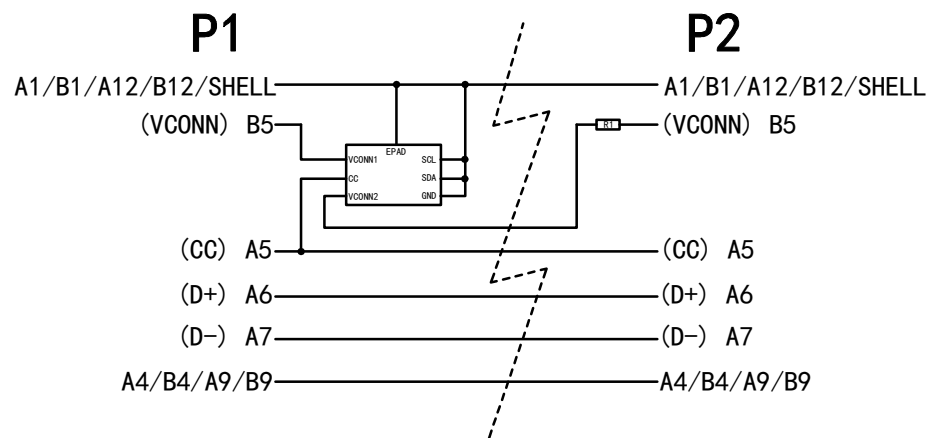
RoHS
Compliant THIS DRAWING CONTAINS INFORMATION THAT IS
PROPRIETARY TO ZDT TECHNOLOGY. AND SHOULD
NOT BE USED WITHOUT WRITTEN PERMISSION


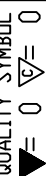
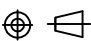
REV	ECN No.	DATE	REMARK
A0	NEW	2016.08.10	NEW RELEASE

TYPE C协会TID NO. 2045

接线图

100W, 慧能泰332 接线图



PART NO.: SEE THE PART NUMBER CODE		 深圳市中科兴达科技有限公司 SHENZHEN ZDT TECHNOLOGY CO., LTD		DRAWN BY SAM	DATE 2016.08.10
QUALITY SYMBOL 0 	GENERAL TOLERANCES (UNLESS SPECIFIED)		TITLE USB 3.1 Type CM PD 100W 2.0版,不带芯片		
	x.xxxx	± ---	DWG.NO. CM092-24-97		
	x.xxx	± 0.10			
	x.xx	± 0.25	SHEET NO. 2 OF 2		
	x.x	± 0.30	APPROVED BY JACKY		
ANGULAR	± ---°	DIMENSION STYLE MM ONLY		DESIGN UNITS METRIC	SCALE 1:1
			THIRD ANGLE PROJECTION 		

10

9

8

7

6

5

4

3

2

frame size: A4