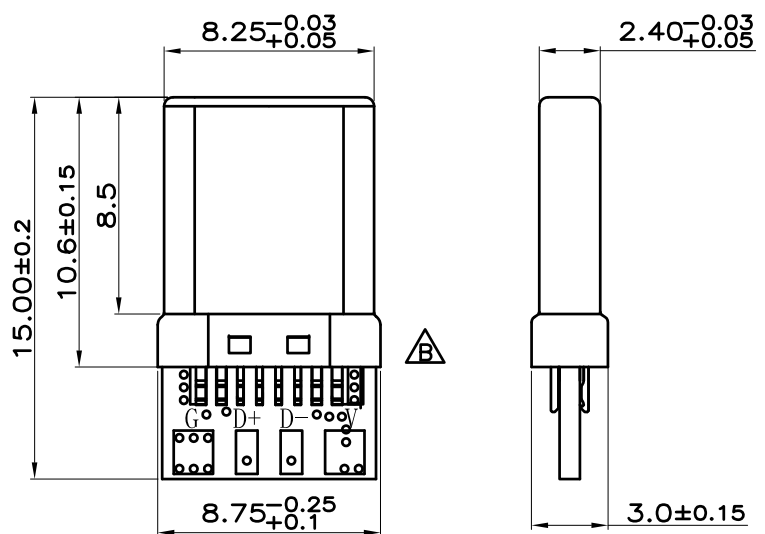
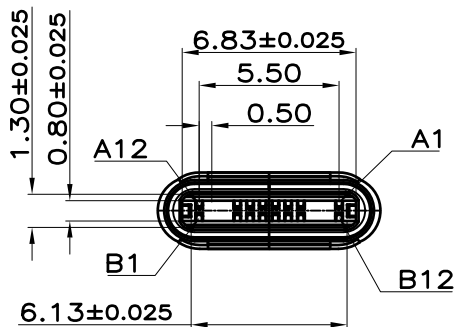


RoHS Compliant

THIS DRAWING CONTAINS INFORMATION THAT IS PROPRIETARY TO ZDT TECHNOLOGY. AND SHOULD NOT BE USED WITHOUT WRITTEN PERMISSION

REV	ECN No.	DATE	REMARK
A	NEW	2019.09.12	NEW RELEASE
B	---	2022.03.15	外壳单卡点改为双卡点



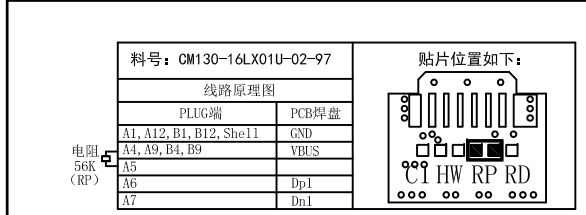
- 电性参数
接触电阻: 最初40mΩ Max,
寿命测试后变化±10
绝缘阻抗: 100MΩ Min
耐压: 100V AC
- 机械参数
插入力: 5-20N MAX.
拔出力: 8-20N MIN.
耐久性: 10000 Cycles 500 cycles per hour
- 沾锡性: 温度250±5°, 时间5±0.5s

4. PART NUMBER CODE:
CM130-16 L X 01 U - XX - 97
① ② ③

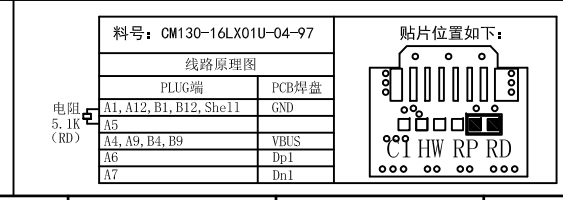
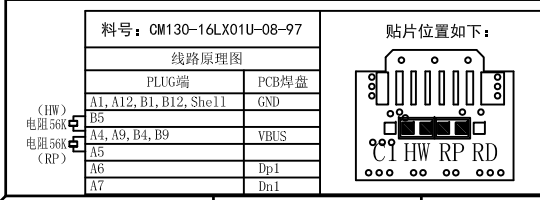
- ① HOUSING: B:BLACK W:WHITE
- ② CONTACTS PLATED: 01:半金锡1u"
- ③ PCB板规格
02: 带板2.0,电阻56K
04: 带板2.0,电阻5.1K,OTG
08: 带板2.0,华为双电阻56K

绿色PCB板

线路图:



线路图:



PART NO.: SEE THE PART NUMBER CODE

QUALITY SYMBOL	GENERAL TOLERANCES
	x.xxxx ± ---
	x.xxx ± 0.10
	x.xx ± 0.25
	x.x ± 0.30
	ANGULAR ± ---

ZDT 深圳市中科兴达科技有限公司
SHENZHEN ZDT TECHNOLOGY CO., LTD

TITLE: TYPE C公头16PIN拉伸壳带板A TO C L=15.0MM

THIRD ANGLE PROJECTION UNIT mm SCALE 1:1 SHEET NO. 1 OF 1

DRAWN BY: SAM
CHECKED BY: JAY
APPROVED BY: JACKY
DWG.NO. CM130-16-97

frame size: A4