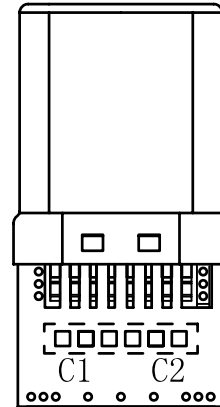
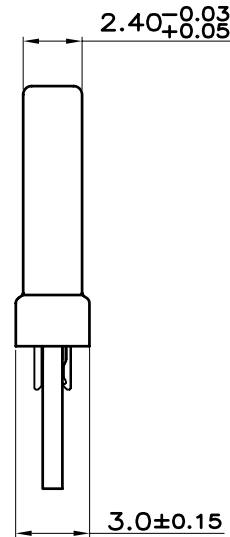
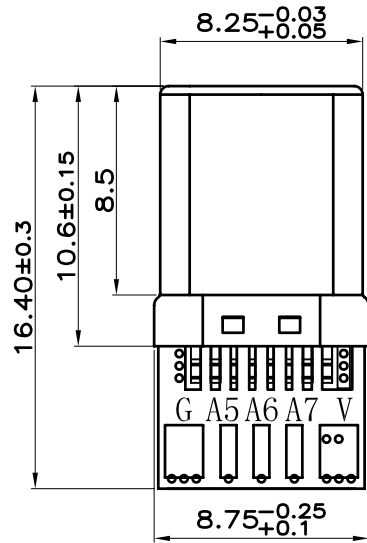
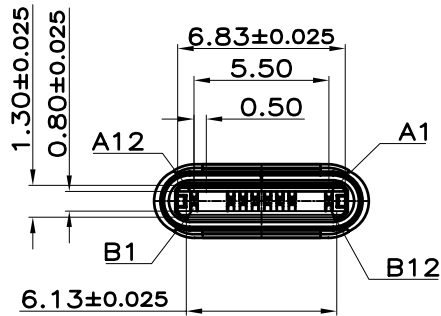


RoHS Compliant

THIS DRAWING CONTAINS INFORMATION THAT IS PROPRIETARY TO ZDT TECHNOLOGY, AND SHOULD NOT BE USED WITHOUT WRITTEN PERMISSION

REV	ECN No.	DATE	REMARK
A0	NEW	2018.03.10	NEW RELEASE



注: 1. 电性参数

接触电阻: 最初40mΩ Max,
寿命测试后变化±10
绝缘阻抗: 100MΩ Min
耐 压: 100V AC

2. 机械参数

插入力: 5-20N MAX.
拔出力: 8-20N MIN.
耐久性: 10000 Cycles 500
cycles per hour

3. 沾锡性: 温度250±5°, 时间5±0.5s

4. PART NUMBER CODE:

CM128-16 L X XX U - XX - 97
① ② ③

① HOUSING COLOR: B=BLACK W=WHITE
② CONTACTS PLATED: 01=半金锡1u"

③ PCB 规格:
01=无电阻电容
05=2.0 C TO C 10NF
22=2.0 C TO C 双100NF电容

TABLE:

No.	NAME	Q'TY	MATERIAL	FINISH
5	PCB	1PCS	FR-4 PCB线路板 绿油 T=0.8mm	
4	SPRING	1PCS	SUS 301 T=0.4	SPRING卡勾: SUS301;T=0.4, 半雾锡
3	TERMINAL	16PCS	C7025 T=0.15	镀底30-50u, 锡60-100u, 接触点镀金
2	FRONT SHELL	1PCS	SUS 304 HV310-370;T=0.15	电镀镍50u以上
1	TERMINAL-Molding	2PCS	LCP+30%G.F BLACK UL94-V0	LCP+30%G.F BLACK UL94-V0

PART NO.:
SEE THE PART NUMBER CODE

深圳市中科兴达科技有限公司
SHENZHEN ZDT TECHNOLOGY CO., LTD

DRAWN BY: SAM DATE: 2018.03.10

QUALITY SYMBOL	0	GENERAL TOLERANCES (UNLESS SPECIFIED)
	x.xxxxx	± ---
	x.xxx	± 0.10
	x.xx	± 0.25
	x.x	± 0.30
ANGULAR	± ---°	

TITLE: TYPE C M 16PIN 2.0 C TO C

CHECKED BY: JAY DATE: 2018.03.10

DWG.NO. CM128-16-97 SHEET NO. 1 OF 2

APPROVED BY: JACKY DATE: 2018.03.10

DIMENSION STYLE: MM ONLY DESIGN UNITS: METRIC SCALE: 1:1

THIRD ANGLE PROJECTION

