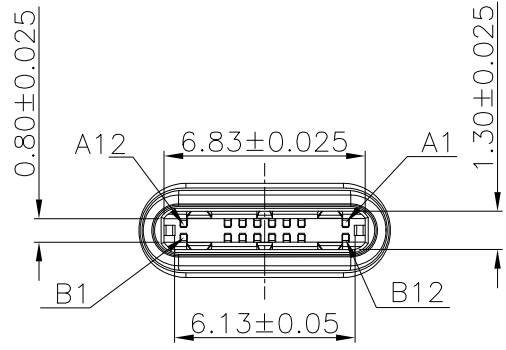


RoHS Compliant

THIS DRAWING CONTAINS INFORMATION THAT IS PROPRIETARY TO ZDT TECHNOLOGY, AND SHOULD NOT BE USED WITHOUT WRITTEN PERMISSION

REV	ECN No.	DATE	REMARK
A	NEW	2020.08.27	NEW RELEASE
B	---	2023.05.24	变更料号CM16002-02=>CM516-006-02



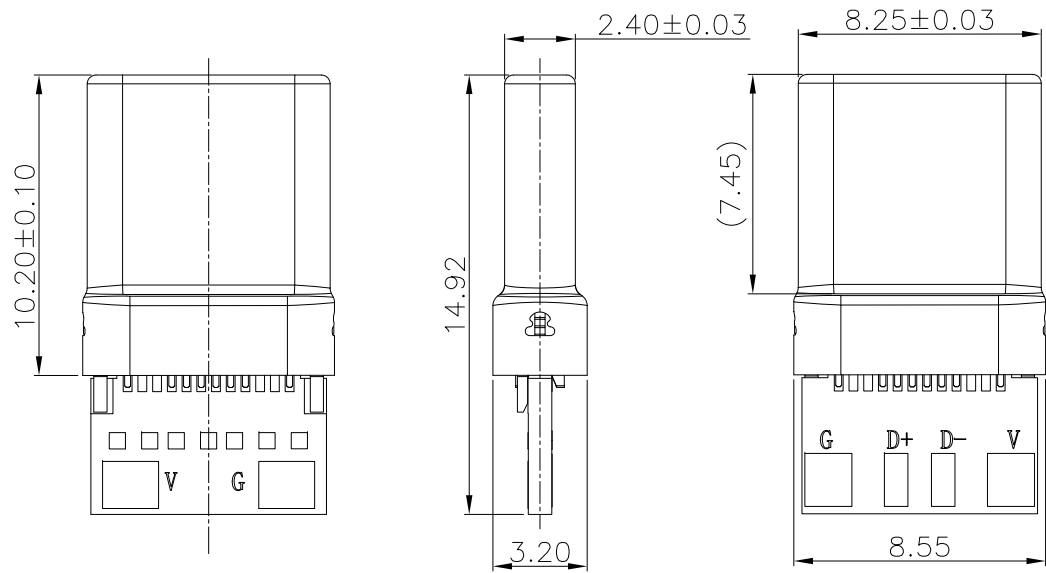
Type_C 2.0充电数据-56k电阻

线路原理图	
PLUG端	PCB焊盘
A1, A12, B1, B12, Shell	GND
A4, A9, B4, B9	VBUS
A5	
A6	Dp1
A7	Dn1

电阻 56K

NOTES:

- MECHANICAL: (机械性能)
 - MATING FORCE: 5-20N .
插入力: 5-20N .
 - UNMATING FORCE: 8-20N
拔出力: 8-20N .
 - DURABILITY: 10000 CYCLES
耐久: 10000次
- ELECTRICAL: (电气性能)
 - CONTACT CURRENT RATING: 1.25A/PIN FOR VBUS AND GND, 0.25A/PIN FOR ALL OTHER CONTACT.
电流: 对VBUS和GND为1.25A/PIN, 其它为0.25A/PIN.
 - DIELECTRIC WITHSTANDING VOLTAGE: 100V AC AT SEA LEVEL.
耐压: 100V AC AT SEA LEVEL.
 - LOW LEVEL CONTACT RESISTANCE: 40mΩ MAX FOR VBUS AND GND, 50mΩ MAX FOR OTHER CONTACTS.
接触阻抗: VBUS和GND, 40mΩ 最大; 其它为50mΩ.
 - INSULATION RESISTANCE: 100MΩ MIN AT 250VDC.
绝缘阻抗: 在电压250VDC, 100MΩ 最小.
 - OPERATING TEMPRATUR: -55~85°. E
- COMPLANARITY OF SMT TERMIANL IS 0.10MMAX.
焊接端子平面度最大不超过0.10MM.
- SALT SPRAY:24H
- 符合ROHS要求.
- PART NUMBER CODE:
CM 5 16-006 S L B 02 U - 02
(1) (2) (3) (4) (5)
- Pin No.:
16:16Pin
- HOUSING MATERIALS:
L:LCP
- HOUSING COLOR:
B:BLACK
- CONTACTS PLATED:
02:接触镀金3u"焊接区雾锡GF
- PACKING OPTIONS
U:管装



No.	NAME	Q'TY	MATERIAL	FINISH
8	料	1PCS	56k电阻	
7	PCB	1PCS	PR-4 PCB线路板 绿油 T=0.80	
6	LATCH	1PCS	SUS 301 T=0.4	SPRING卡勾: SUS301;T=0.4, 半雾锡
5	TERMINAL	16PCS	C7025 T=0.15	镍底30-50U, 锡60-100U, 接触点镀金3U
4	EMI PLATE	2PCS	SUS 304;T=0.10	清洗
3	FRONT SHELL	1PCS	SUS316;T=0.15	外表镀珍珠镍50U以上
2	EMI-Molding	2PCS	LCP+30%G.F BLACK UL94-V0	
1	TERMINAL-Molding	2PCS	LCP+30%G.F BLACK UL94-V0	

PART NO.:
SEE THE PART NUMBER CODE

ZDT 深圳市中科兴达科技有限公司
SHENZHEN ZDT TECHNOLOGY CO.,LTD

DRAWN BY SAM DATE 2020.08.27

QUALITY SYMBOL	GENERAL TOLERANCES (UNLESS SPECIFIED)	
	x.xxxxx	± ---
	x.xxx	± 0.10
	x.xx	± 0.20
	x.x	± 0.30
ANGULAR	± ---°	

TITLE USB TYPE CM 16P拉伸插PIN式A-C

CHECKED BY JAY DATE 2020.08.27

DWG.NO. CM516-006-02 SHEET NO. 1 OF 1

APPROVED BY JACKY DATE 2020.08.27

DIMENSION STYLE MM ONLY DESIGN UNITS METRIC SCALE 1:1

THIRD ANGLE PROJECTION