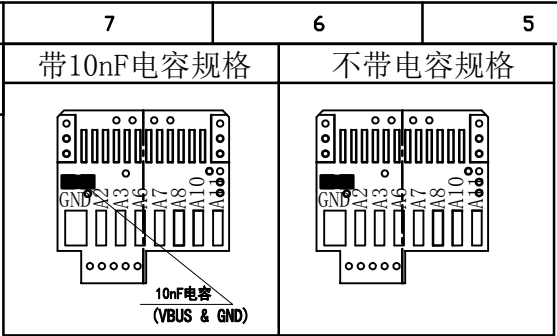
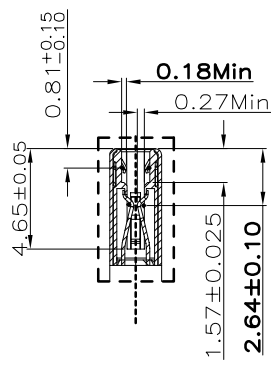
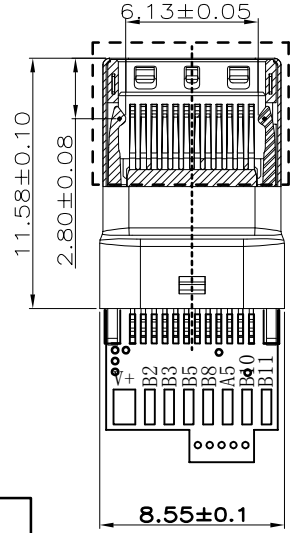
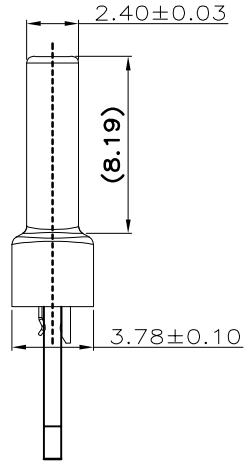
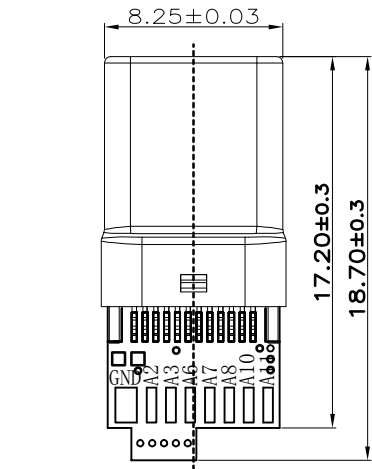
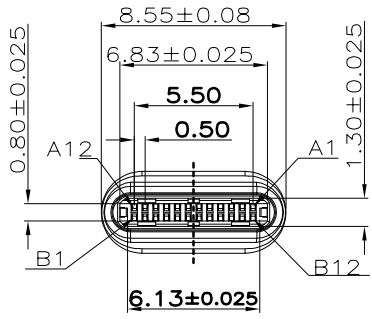


F TYPE C协会TID NO. 2045



REV	ECN No.	DATE	REMARK
A	NEW	2016.10.18	NEW RELEASE
B		2020.11.13	增加无电容规格



备注:

- 电性参数
电流: 5.0A Max,
接触电阻: 最初40mΩ Max,
寿命测试后变化±10
绝缘阻抗: 100MΩ Min
耐压: 100V AC
- 机械参数
插入力: 5-20N MAX.
拔出力: 8-20N MIN.
耐久性: 10000 Cycles 500 cycles per hour
- 沾锡性: 温度250±5°, 时间5±0.5s
- PART NUMBER CODE:(产品料号)
CM140-24SL B XX U - XX - 97
(1)(2) (3)

- HOUSING COLOR:
B:BLACK
- CONTACTS PLATED:
01:半金锡1u"
04:半金锡15u"
- PCB板规格:
07: 3.1款无电容电阻
13: 3.1 C TO C 10NG电容

带10nF电容线路原理图

线路原理图	
PLUG端	PCB焊盘
A4, A9, B4, B9	VBUS
A1, A12, B1, B12, Shell	GND
A2	A2
A3	A3
A5	A5
A6	A6
A7	A7
A8	A8
A10	A10
A11	A11
B2	B2
B3	B3
B5	B5
B8	B8
B10	B10
B11	B11

不带电容线路原理图

线路原理图	
PLUG端	PCB焊盘
A4, A9, B4, B9	VBUS
A1, A12, B1, B12, Shell	GND
A2	A2
A3	A3
A5	A5
A6	A6
A7	A7
A8	A8
A10	A10
A11	A11
B2	B2
B3	B3
B5	B5
B8	B8
B10	B10
B11	B11

No.	NAME	Q'TY	MATERIAL
7	PCB	1PCS	FR-4 PCB板厚 T=0.8mm +铜
6	SPRING	1PCS	SUS 301 HV310-370;T=0.40. 镀可焊
5	TERMINAL	24PCS	C7025 HV190-210;T=0.15,Au: ,Ø100u", 镀48H
4	EMI PLATE	2PCS	SUS 304 HV310-370;T=0.10
3	FRONT SHELL	1PCS	SUS 304/316 HV310-370;T=0.15,Ni 80u", 镀48H
2	EMI-Molding	2PCS	LCP+30%G.F UL94-V0
1	TERMINAL-Molding	2PCS	LCP+30%G.F UL94-V0

PART NO.: SEE THE PART NUMBER CODE

ZDT 深圳市中科兴达科技有限公司 SHENZHEN ZDT TECHNOLOGY CO., LTD

TITLE: USB CM 3.1 C TO C短PCB板16个焊盘L=18.7

QUALITY SYMBOL: 0 ∇ = 0

GENERAL TOLERANCES (UNLESS SPECIFIED)	DWG.NO.	SHEET NO.
x.xxxx	CM140-24-97	1 OF 1
x.xxx		
x.xx		
x.x		
ANGULAR		

DRAWN BY	DATE
SAM	2020.11.13

CHECKED BY	DATE
JAY	2020.11.13

APPROVED BY	DATE
JACKY	2020.11.13

DIMENSION STYLE: MM ONLY DESIGN UNITS: METRIC SCALE: 1:1

THIRD ANGLE PROJECTION