

10 9 8 7 6 5 4 3 2 1

RoHS Compliant THIS DRAWING CONTAINS INFORMATION THAT IS PROPRIETARY TO ZDT TECHNOLOGY. AND SHOULD NOT BE USED WITHOUT WRITTEN PERMISSION

TYPE C协会TID NO. 2045

REV	ECN No.	DATE	REMARK
A	NEW	2017.05.10	NEW RELEASE
B	ECN2008001	2020.08.01	加大VBUS_GND焊盘
C	ECN2009007	2020.09.15	依实物尺寸修改图纸总长18.1=) 18.40 17.1=) 17.40

NOTES:

1. MECHANICAL: (机械性能)

1.1 MATING FORCE: 5-20N MAX.
插入力: 5-20N 最大.

1.2 UNMATING FORCE: 8-20N MIN
拔出力: 8-20N 最小.

1.3 DURABILITY: 10000 CYCLES
耐久: 10000次

2. ELECTRICAL: (电气性能)

2.1 CONTACT CURRENT RATING: 1.25A/PIN FOR VBUS AND GND,
0.25A/PIN FOR ALL OTHER CONTACT.
电流: 对VBUS和GND为1.25A/PIN, 其它为0.25A/PIN.

2.2 DIELECTRIC WITHSTANDING VOLTAGE: 100V AC AT SEA LEVEL.
耐压: 100V AC AT SEA LEVEL.

2.3 LOW LEVEL CONTACT RESISTANCE: 40mΩ MAX FOR VBUS AND GND,
50mΩ MAX FOR OTHER CONTACTS.
接触阻抗: VBUS和GND, 40mΩ 最大; 其它为50mΩ.

2.4 INSULATION RESISTANCE: 100MΩ MIN AT 250VDC.
绝缘阻抗: 在电压250VDC, 100MΩ 最小.

2.5. OPERATING TEMPRATUR: -55~85°. E

3. COMPLANARITY OF SMT TERMINAL IS 0.10MAX.
焊接端子平面度最大不超过0.10MM.

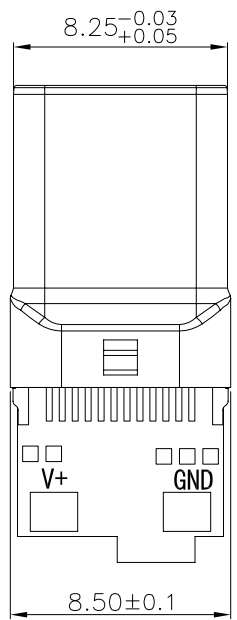
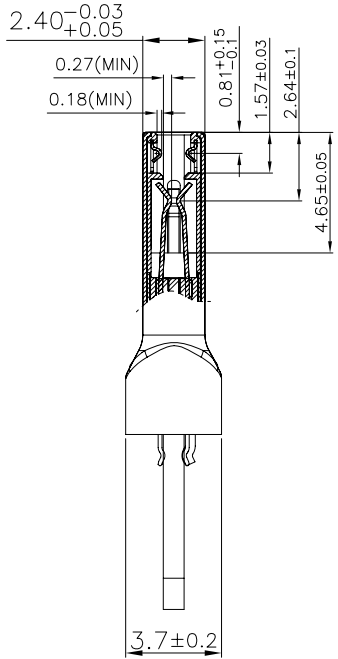
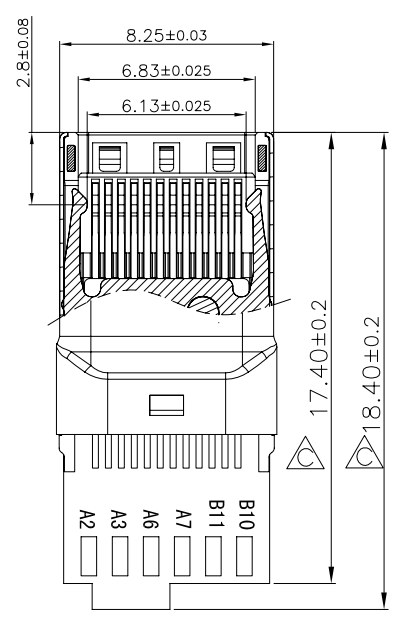
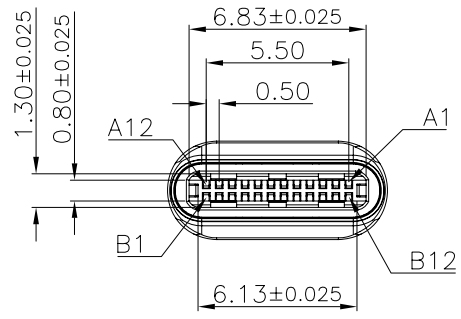
4. PART NUMBER CODE:

CM141-24SL B XX U - XX - 97
(1)(2) (3)

(1) HOUSING COLOR:
B:BLACK

(2) CONTACTS PLATED:
01:半金锡1u"
04:半金锡15u"

(3) PCB板规格:
03: 3.0 56KΩ电阻+10NF
21: 3.0 5.1K电阻+10NF



No.	NAME	Q'TY	MATERIAL	FINISH
7	PCB	1PCS	FR-4 PCB板规格 厚度 T=0.8mm 4*4+4*4	
6	SPRING	1PCS	SUS 301 T=0.4	SPRING卡勾: SUS301;T=0.4, 半雾锡
5	TERMINAL	24PCS	C7025 T=0.15	镍底30-50u, 锡60-100u, 接触点镀金(见料号)
4	EMI PLATE	2PCS	SUS 304 HV310-370;T=0.10	清洗
3	FRONT SHELL	1PCS	SUS 304 HV310-370;T=0.15	外表抛光后喷沙, 电镀半光镍, 镀镍50u以上.
2	EMI-Molding	2PCS	LCP+30%G.F BLACK UL94-V0	LCP+30%G.F BLACK UL94-V0
1	TERMINAL-Molding	2PCS	LCP+30%G.F BLACK UL94-V0	LCP+30%G.F BLACK UL94-V0
No.				

PART NO.: SEE THE PART NUMBER CODE		ZDT 深圳市中科兴达科技有限公司 SHENZHEN ZDT TECHNOLOGY CO., LTD		DRAWN BY SAM	DATE 2020.09.15
QUALITY SYMBOL 0 0 0 0 0 0	GENERAL TOLERANCES (UNLESS SPECIFIED)		TITLE USB Type C M 3.0 版(拉伸壳) L=18.4		
	x.xxxx	± ---	CHECKED BY JAY		
	x.xxx	± 0.10	DATE 2020.09.15		
	x.xx	± 0.25	APPROVED BY JACKY		
	x.x	± 0.30	DATE 2020.09.15		
ANGULAR	± --°	DWG.N0. CM141-24-97	SHEET NO. 1 OF 2	THIRD ANGLE PROJECTION	
		DIMENSION STYLE MM ONLY	DESIGN UNITS METRIC	SCALE 1:1	

RoHS Compliant

THIS DRAWING CONTAINS INFORMATION THAT IS PROPRIETARY TO ZDT TECHNOLOGY. AND SHOULD NOT BE USED WITHOUT WRITTEN PERMISSION

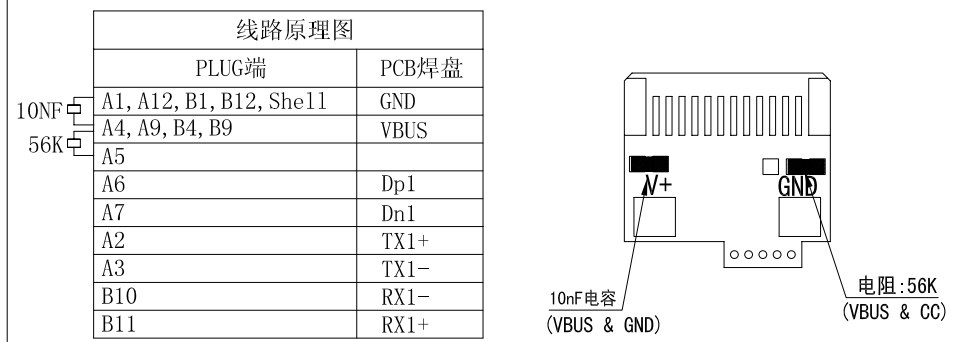
REV	ECN No.	DATE	REMARK
A	NEW	2017.05.10	NEW RELEASE
B	ECN2008001	2020.08.01	加大VBUS GND焊盘
C	ECN2009007	2020.09.15	依实物尺寸修改图纸总长18.1=> 18.40 17.1=> 17.40

TYPE C协会TID NO. 2045

焊板3.0系列，线路/贴料说明

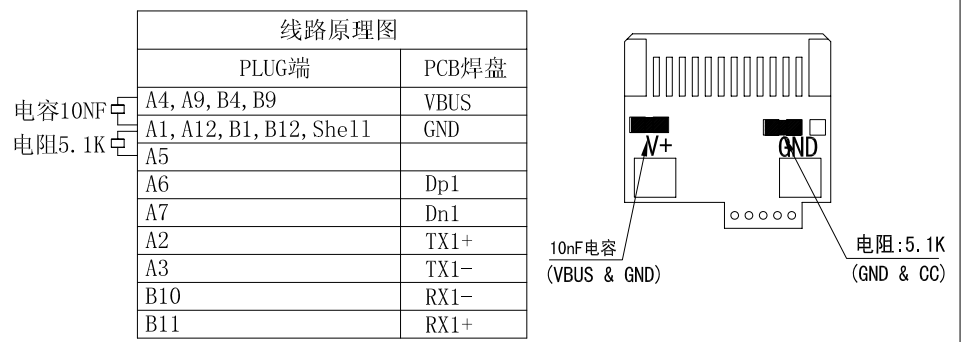
焊板3.0 56K+10NF电容

CM140-24SLBXXU-03-75



焊板3.0 5.1K+10NF电容

CM140-24SLBXXU-21-75



PART NO.: SEE THE PART NUMBER CODE		深圳市中科兴达科技有限公司 SHENZHEN ZDT TECHNOLOGY CO., LTD		DRAWN BY SAM	DATE 2020.09.15	
QUALITY SYMBOL 0 ∇ 0	GENERAL TOLERANCES (UNLESS SPECIFIED)		TITLE USB Type C M 3.0 版 (拉伸壳) L=18.4			
	x.xxxx	± ---	DWG.NO. CM141-24-97	SHEET NO. 2 OF 2	CHECKED BY JAY	DATE 2020.09.15
	x.xxx	± 0.10			APPROVED BY JACKY	DATE 2020.09.15
	x.xx	± 0.25	DIMENSION STYLE MM ONLY	DESIGN UNITS METRIC	SCALE 1:1	THIRD ANGLE PROJECTION
	x.x	± 0.30	frame size: A4			
ANGULAR	± ---°					