

RoHS Compliant

THIS DRAWING CONTAINS INFORMATION THAT IS PROPRIETARY TO ZDT TECHNOLOGY. AND SHOULD NOT BE USED WITHOUT WRITTEN PERMISSION

REV	ECN No.	DATE	REMARK
A	NEW	2020.08.19	NEW RELEASE

TYPE C协会TID NO. 2045

备注:

1.电性参数

电流: 5.0A Max,
接触电阻: 最初40mΩ Max,
寿命测试后变化±10
绝缘阻抗: 100MΩ Min
耐压: 100V AC

2.机械参数

插入力: 5-20N MAX.
拔出力: 8-20N MIN.
耐久性: 10000 Cycles 500
cycles per hour

3.沾锡性: 温度250±5°, 时间5±0.5s

4. PCB板六层板

5. PART NUMBER CODE:

CM148-24 L B 04 T - 13 - 97
(1)(2) (3)

(1) HOUSING COLOR:

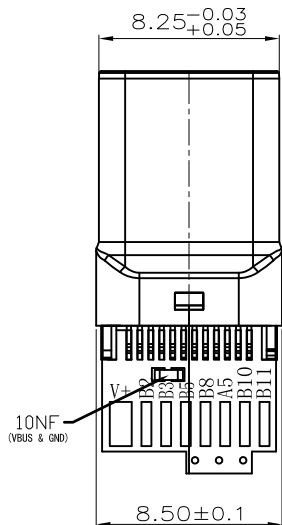
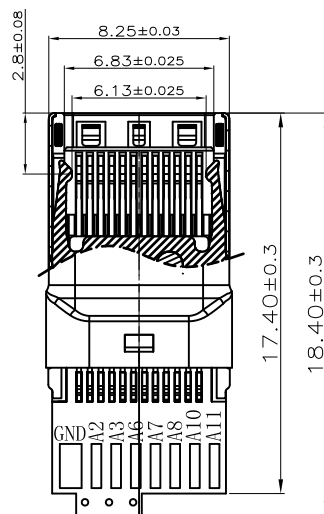
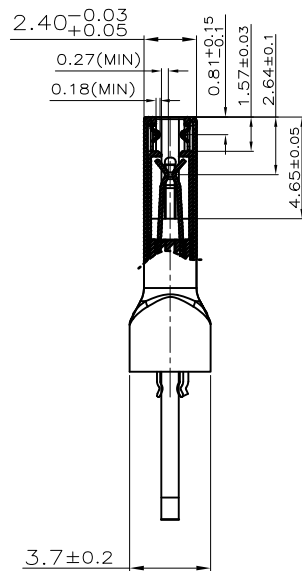
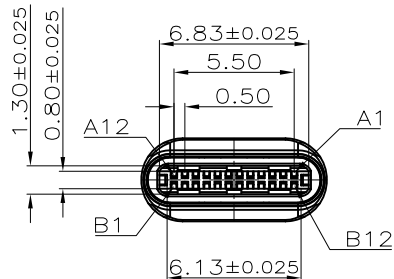
B:BLACK

(2) CONTACTS PLATED:

04:半金锡15u"

(3) PCB板规格:

13: 3.1 C TO C 10NG电容



线路原理图

PLUG端	PCB焊盘
-------	-------

电容10NF

PLUG端	PCB焊盘
A4, A9, B4, B9	VBUS
A1, A12, B1, B12, She11	GND
A2	A2
A3	A3
A5	A5
A6	A6
A7	A7
A8	A8
A10	A10
A11	A11
B2	B2
B3	B3
B5	B5
B8	B8
B10	B10
B11	B11

7	PCB	1PCS	FR-4 PCB线路板 蓝油 T=0.8mm +电容
6	SPRING	1PCS	SUS 301 HV310-370;T=0.40. 镀可焊锡
5	TERMINAL	24PCS	C7025 HV190-210;T=0.15,Au:1U,8100u",鍍48H
4	EMI PLATE	2PCS	SUS 201 HV310-370;T=0.10
3	FRONT SHELL	1PCS	SUS316L HV310-370;T=0.15,Ni 80u"鍍 鍍48H
2	EMI-Molding	2PCS	LCP+30%G.F UL94-V0
1	TERMINAL-Molding	2PCS	LCP+30%G.F UL94-V0
No.	NAME	Q'TY	MATERIAL

PART NO.:

SEE THE PART NUMBER CODE

ZDT 深圳市中科兴达科技有限公司
SHENZHEN ZDT TECHNOLOGY CO., LTD

DRAWN BY: SAM

QUALITY SYMBOL

QUALITY SYMBOL	GENERAL TOLERANCES
	x.xxxx ± ---
	x.xxx ± 0.10
	x.xx ± 0.25
	x.x ± 0.30
	ANGULAR ± ---°

TITLE
Type-C拉伸款3.1全功能, 直立式弯头款,
端子3U. 黑胶, 电容10NF

CHECKED BY: JAY

APPROVED BY: JACKY

THIRD ANGLE PROJECTION

UNIT mm

SCALE 1:1

SHEET NO. 1 OF 1

DWG.NO. CM148-24-97

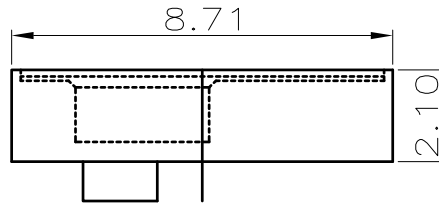
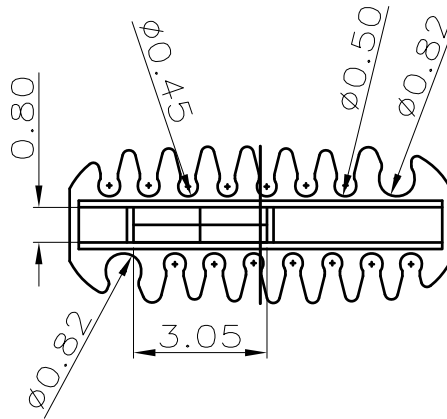
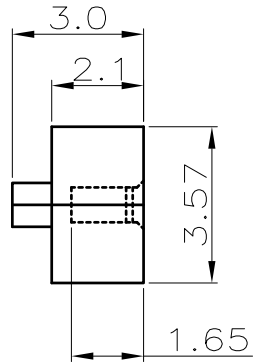
frame size: A4

RoHS Compliant



THIS DRAWING CONTAINS INFORMATION THAT IS PROPRIETARY TO ZDT TECHNOLOGY. AND SHOULD NOT BE USED WITHOUT WRITTEN PERMISSION

REV	ECN No.	DATE	REMARK
A	NEW	2020.08.19	NEW RELEASE



NOTES:

- 1、材料：PA66 GF15% UL94 V-0 黑色
- 2、标有“★”的为重点检测尺寸
- 3、标有“①②”序号的为FAI检测尺寸
- 4、符合本公司环境物质管理标准

PART NO.:		SEE THE PART NUMBER CODE		ZDT 深圳市中科兴达科技有限公司 SHENZHEN ZDT TECHNOLOGY CO., LTD		DRAWN BY: SAM	
QUALITY SYMBOL	0	GENERAL TOLERANCES		TITLE			
	0	x.xxxx	± ---	Type-C拉伸款3.1款四层板用线夹			
	0	x.xxx	± 0.10				
	0	x.xx	± 0.25				
	0	x.x	± 0.30				
0	ANGULAR	± ---°					
		THIRD ANGLE PROJECTION		UNIT	SCALE	SHEET NO.	DWG.NO.
				mm	1:1	1 OF 1	XJ-C31-314-BK

frame size: A4