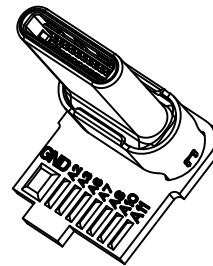
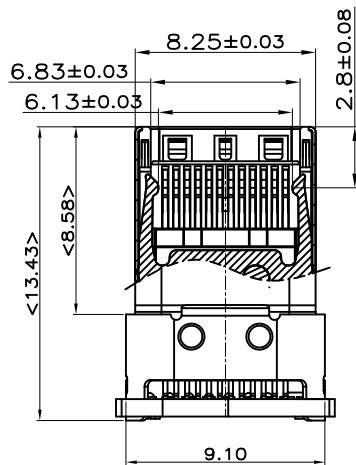
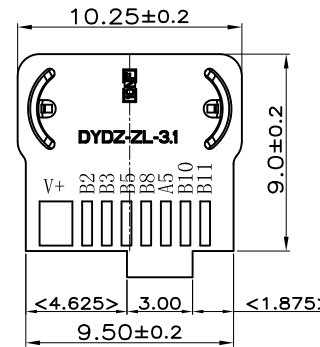
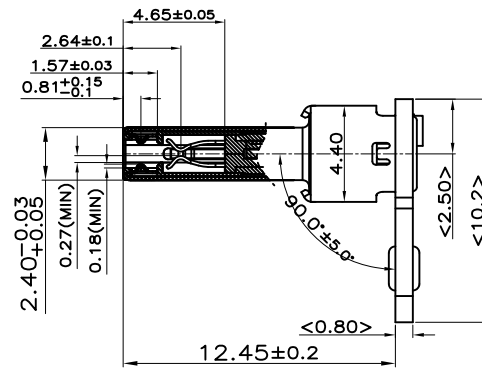
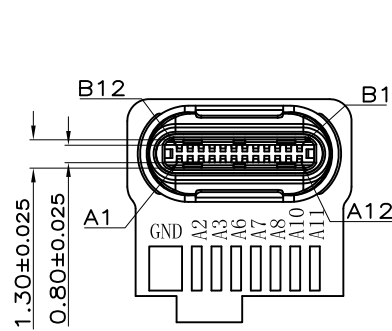


RoHS Compliant

THIS DRAWING CONTAINS INFORMATION THAT IS PROPRIETARY TO ZDT TECHNOLOGY. AND SHOULD NOT BE USED WITHOUT WRITTEN PERMISSION

REV	ECN No.	DATE	REMARK
A	NEW	2022.10.18	NEW RELEASE



备注:

1.电性参数

接触电阻: 最初30mΩ Max,  
寿命测试后变化±10  
绝缘阻抗: 300V 100MΩ Min  
耐压: 100V AC

2.机械参数

插入力: 5-20N MAX.  
拔出力: 8-20N MIN.  
耐久性: 10000 Cycles 500  
cycles per hour

3.PART NUMBER CODE:

CM 5 24 - 030 S L B 02 T - 97  
(1)(2) (3)(4)(5)(6)

(1) 产品类型:  
5=(带PCB)焊线式

(2) Pin No.:  
24:24Pin

(3) HOUSING MATERIALS:  
L:LCP

(4) HOUSING COLOR:  
B:BLACK

(5) CONTACTS PLATED:  
02:半金锡3u"

(6) PACKING OPTIONS  
T:Tray

线路原理图	
PLUG端	PCB焊盘
电容10NF	A4, A9, B4, B9
	VBUS
	A1, A12, B1, B12, Shell
	GND
	A2
	A3
	A5
	A6
	A7
	A8
	A10
	A11
	B2
	B3
	B5
	B8
	B10
	B11

8	PCB	1PCS	FR-4 PCB电路板 T=0.8mm +电容
7	FRONT SHELL 2	1PCS	SUS 201 HV310-370;T=0.30,Ni 80u"镀 镀层48H
6	SPRING	1PCS	SUS 301 HV310-370;T=0.40. 镀可焊锡
5	TERMINAL	24PCS	C7025 HV190-210;T=0.15,Au:决1U,镀100u", 镀层48H
4	EMI PLATE	2PCS	SUS 304 HV310-370;T=0.10
3	FRONT SHELL 1	1PCS	SUS 316 HV310-370;T=0.15,Ni 80u"镀 镀层48H
2	EMI-Molding	2PCS	LCP+30%G.F UL94-V0
1	TERMINAL-Molding	2PCS	LCP+30%G.F UL94-V0
No.	NAME	Q'TY	MATERIAL

PART NO.: SEE THE PART NUMBER CODE		<b>ZDT</b> 深圳市中科兴达科技有限公司 SHENZHEN ZDT TECHNOLOGY CO., LTD		DRAWN BY: SAM	
QUALITY SYMBOL	0	GENERAL TOLERANCES		CHECKED BY: JAY	
	▽	x.xxxx	± ---	APPROVED BY: JACKY	
	▽	x.xxx	± 0.10	DWG.NO. CM524-030-97	
	▽	x.xx	± 0.25	THIRD ANGLE PROJECTION	
	▽	x.x	± 0.30	UNIT mm	
▽	ANGULAR	± ---°	SCALE 1:1		
		TITLE Type-C拉伸款3.1全功能, 直立式弯头款, 端子3U. 黑胶,电容10NF		SHEET NO. 1 OF 1	