

RoHS Compliant

THIS DRAWING CONTAINS INFORMATION THAT IS PROPRIETARY TO ZDT TECHNOLOGY. AND SHOULD NOT BE USED WITHOUT WRITTEN PERMISSION

REV	ECN No.	DATE	REMARK
A	NEW	2020.12.15	NEW RELEASE
B	ENC2308022	2023.08.22	图框变更

NOTE/注释:

1. SPECIFICATION/规格:

- 1.1 Rated current (额定电流): 5.0 A
- 1.2 Voltage rating (额定电压): 5V AC
- 1.3 Contact Resistance (接触阻抗): 40 m Ω Max.
- 1.4 Insulation Resistance (绝缘阻抗): 100MΩ Min.
- 1.5 Withstanding voltage (耐电压): 100 VAC/minute
- 1.6 Mating force (插入力): 5~20N .
- 1.7 Unmating force (拔出力): 8~20N.
- 1.8 Durability Cycle(寿命循环):10,000 cycle
- 1.9 Operating temperature (工作温度): -40°~+85°

2.PART NUMBER CODE:

CF 2 24 - 009 S X B XX R  
(1) (2) (3)(4)(5) (6)

(1) 产品形态:  
2:板上型

(2) Pin No.:  
24:24Pin

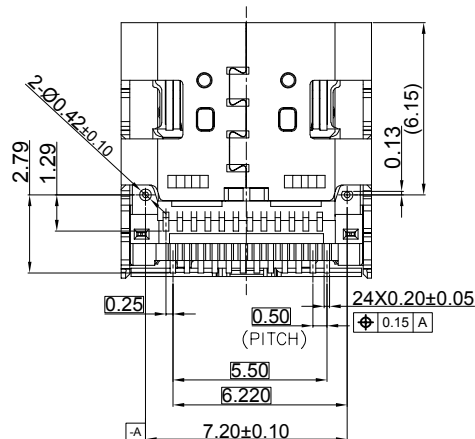
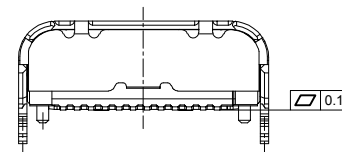
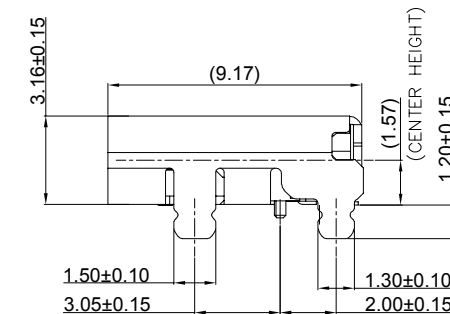
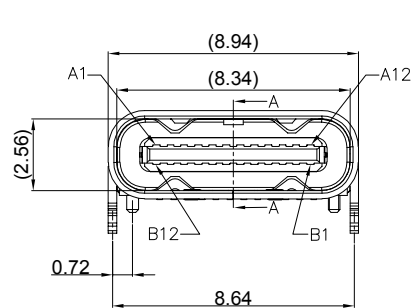
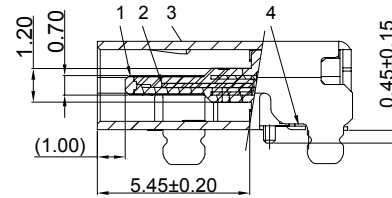
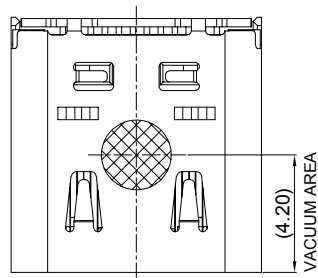
(3) HOUSING MATERIALS:  
C:PA9T

(4) HOUSING COLOR:  
B:BLACK

(5) CONTACTS PLATED:  
12:接触镀金3u", 其它GF

(6) PACKING OPTIONS  
R:TAPE & REEL

NO.	PART NO.	REMARKS	PACKING
1	CF224-009SCB12R	PA9T黑色接触镀金3u"其它GF	TAPE & REEL



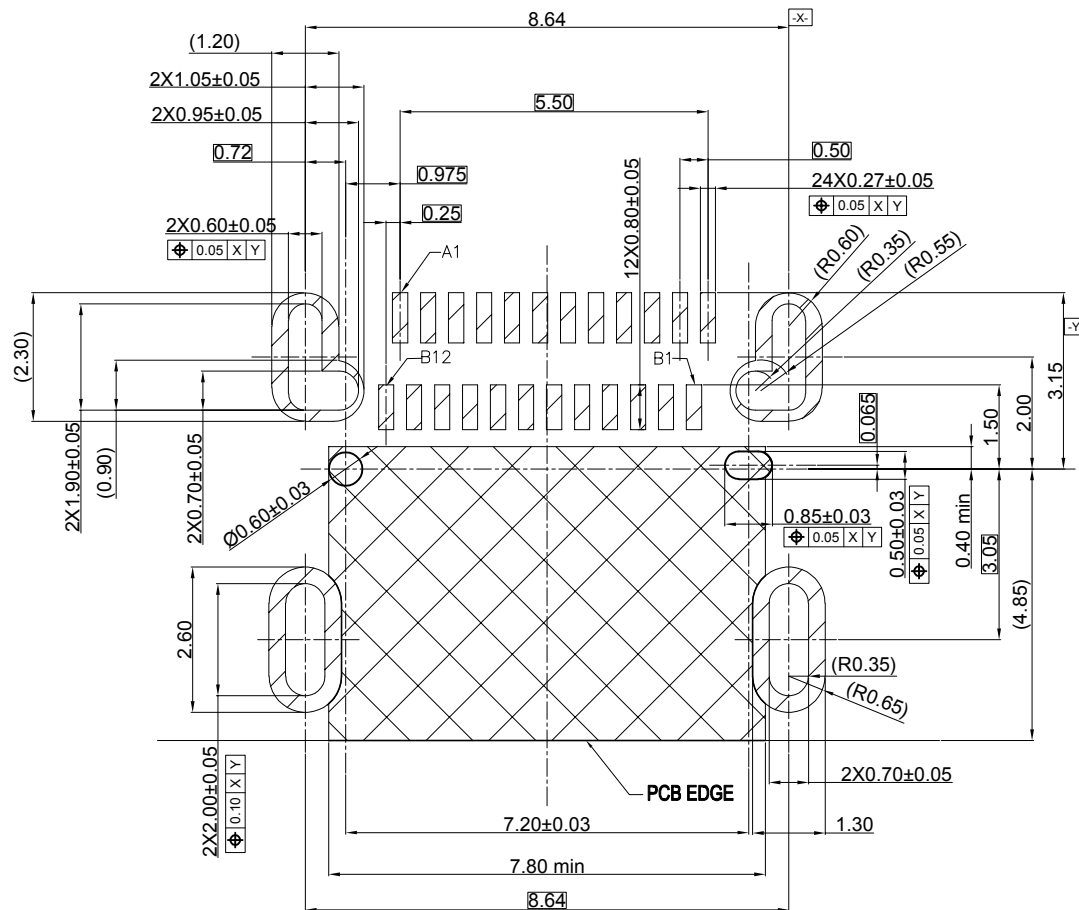
ITEM	DESCRIPTION	Q'TY	MATERIAL	FINISH	REMARK
4	TERMINAL	24	C18140	MATING SIDE:SEE PART NO; SOLDER TAIL:Gold FLASH, 50u" NICKEL OVERALL.	T=0.12
3	SHELL	1	SUS304	NICKEL PLATING	T=0.30
2	MID PLATE	1	SUS301	NICKEL PLATING	T=0.15
1	MAIN HOUSING	1	PA9T HF 30%UL94 V-0.黑		BLACK UL94V-0

PART NO.:		SEE THE PART NUMBER CODE		ZDT 深圳市中科兴达科技有限公司		DRAWN BY: SAM	
				SHENZHEN ZDT TECHNOLOGY CO., LTD		CHECKED BY: JAY	
QUALITY SYMBOL	0	GENERAL TOLERANCES	TITLE	APPROVED BY: JACKY			
	0	x.xxxx ± ---	USB 4.0 Type C 24P母座有后盖单壳 双贴SMT 板上平贴;L=9.17mm	DWG.NO. CF224-009			
	0	x.xxx ± 0.10					
	0	x.xx ± 0.25					
0	x.x ± 0.30						
0	ANGULAR ± ---	THIRD ANGLE PROJECTION	UNIT mm	SCALE 1:1	SHEET NO. 1 OF 3		

RoHS Compliant 

THIS DRAWING CONTAINS INFORMATION THAT IS PROPRIETARY TO ZDT TECHNOLOGY, AND SHOULD NOT BE USED WITHOUT WRITTEN PERMISSION

REV	ECN No.	DATE	REMARK
A	NEW	2023.08.12	NEW RELEASE
B	ENC2308022	2023.08.22	图框变更



PIN DEFINITION:

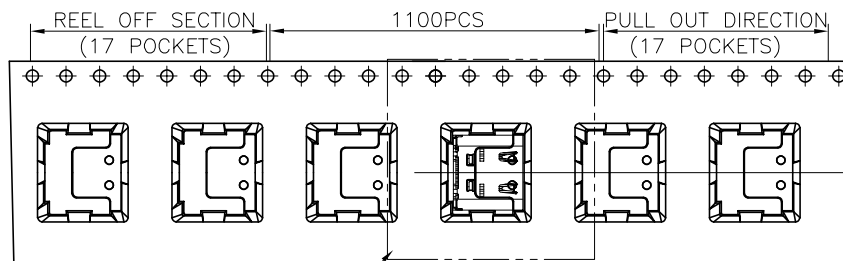
PIN No.	A1	A2	A3	A4	A5	A6	A7	A8	A9	A10	A11	A12
	GND	TX1+	TX1-	VBus	CC1	D+	D-	SBU1	VBus	RX2-	RX2+	GND
PIN No.	B12	B11	B10	B9	B8	B7	B6	B5	B4	B3	B2	B1
	GND	RX1+	RX1-	VBus	SBU2	D-	D+	CC2	VBus	TX2-	TX2+	GND

PART NO.: SEE THE PART NUMBER CODE		<b>ZDT</b> 深圳市中科兴达科技有限公司 SHENZHEN ZDT TECHNOLOGY CO., LTD		DRAWN BY: SAM	
QUALITY SYMBOL 0 = 0 = 0	GENERAL TOLERANCES		TITLE		
	x.xxxx	± ---	USB 4.0 Type C 24P母座有后盖单壳 双贴SMT 板上平贴,L=9.17mm		
	x.xxx	± 0.10	APPROVED BY: JACKY		
	x.xx	± 0.25	DWG.NO. CF224-009		
	x.x	± 0.30	THIRD ANGLE PROJECTION		
ANGULAR	± ---	UNIT mm	SCALE 1:1	SHEET NO. 2 OF 3	

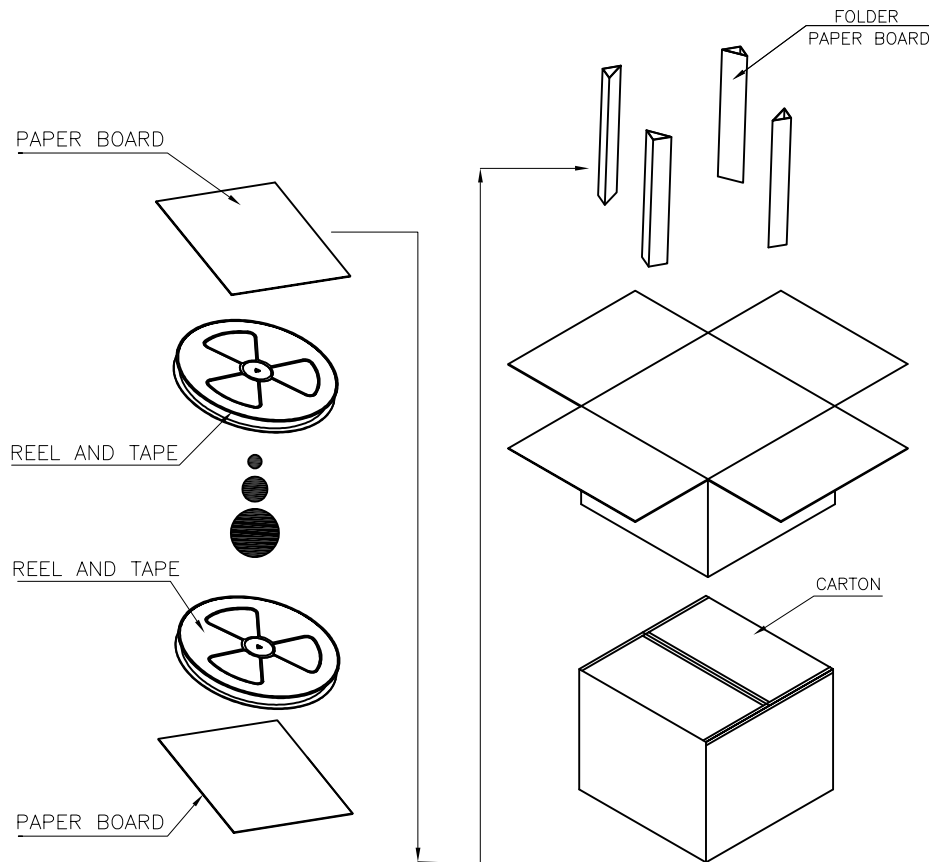
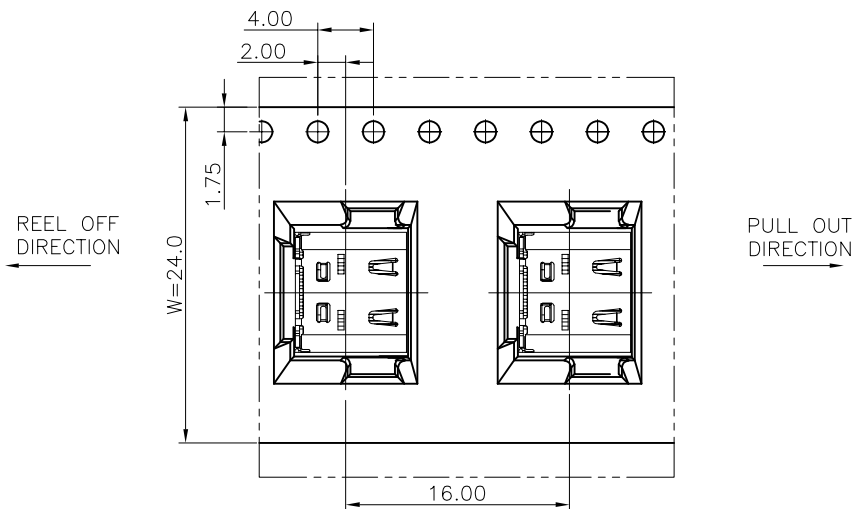
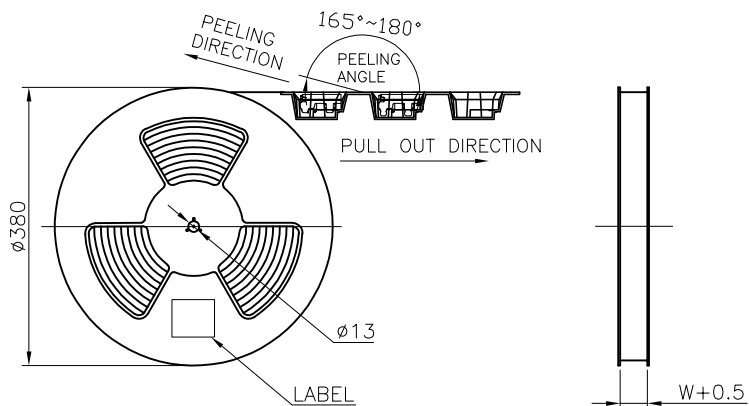
RoHS Compliant

THIS DRAWING CONTAINS INFORMATION THAT IS PROPRIETARY TO ZDT TECHNOLOGY, AND SHOULD NOT BE USED WITHOUT WRITTEN PERMISSION

REV	ECN No.	DATE	REMARK
A	NEW	2023.08.12	NEW RELEASE
B	ENC2308022	2023.08.22	图框变更



SEE DETAIL X



	REEL	CARTON
CONNECTOR (PCS)	1100	11000

PART NO.: SEE THE PART NUMBER CODE		<b>ZDT</b> 深圳市中科兴达科技有限公司 SHENZHEN ZDT TECHNOLOGY CO., LTD		DRAWN BY: SAM	
QUALITY SYMBOL	0	GENERAL TOLERANCES		CHECKED BY: JAY	
	0	x.xxxx	± ---	APPROVED BY: JACKY	
	0	x.xxx	± 0.10	DWG.NO. CF224-009	
	0	x.xx	± 0.25	frame size: A4	
0	x.x	± 0.30	TITLE	USB 4.0 Type C 24P母座有后盖单壳 双贴SMT 板上平贴,L=9.17mm	
0	ANGULAR	± ---	THIRD ANGLE PROJECTION	UNIT mm	SCALE 1:1
			SHEET NO. 3 OF 3		