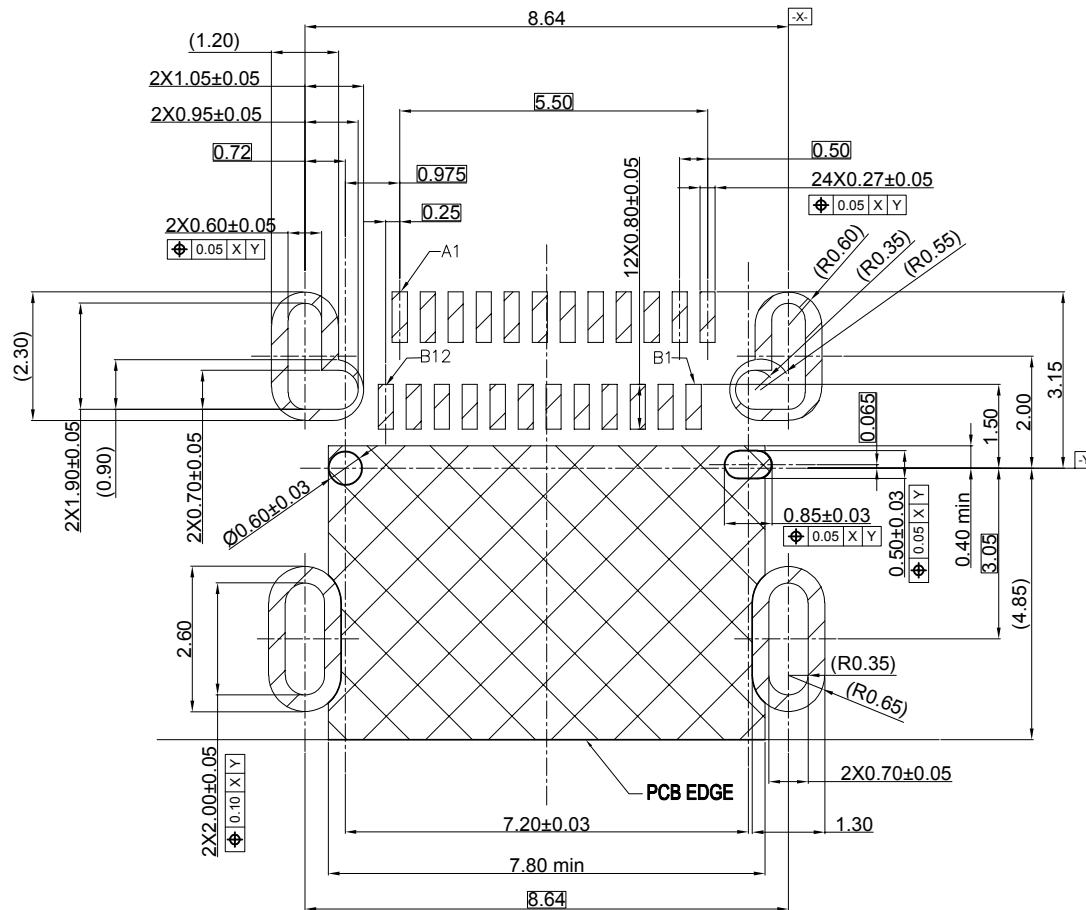


RoHS Compliant

THIS DRAWING CONTAINS INFORMATION THAT IS PROPRIETARY TO ZDT TECHNOLOGY, AND SHOULD NOT BE USED WITHOUT WRITTEN PERMISSION

REV	ECN No.	DATE	REMARK
A	NEW	2020.12.15	NEW RELEASE
B	ENC202308028	2023.08.28	图框变更



PIN DEFINITION:

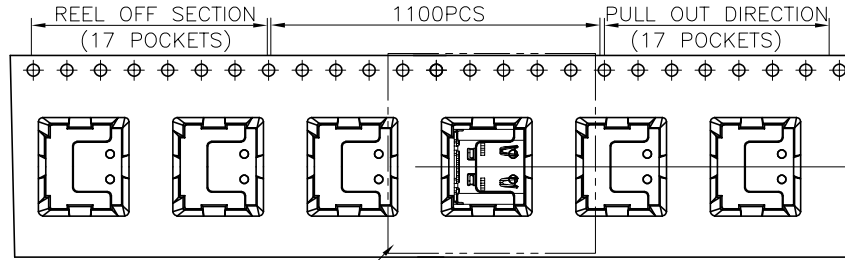
PIN No.	A1	A2	A3	A4	A5	A6	A7	A8	A9	A10	A11	A12
	GND	TX1+	TX1-	VBus	CC1	D+	D-	SBU1	VBus	RX2-	RX2+	GND
PIN No.	B12	B11	B10	B9	B8	B7	B6	B5	B4	B3	B2	B1
	GND	RX1+	RX1-	VBus	SBU2	D-	D+	CC2	VBus	TX2-	TX2+	GND

PART NO.: SEE THE PART NUMBER CODE		ZDT 深圳市中科兴达科技有限公司 SHENZHEN ZDT TECHNOLOGY CO., LTD		DRAWN BY: SAM		
QUALITY SYMBOL 0 = 0 1 = 1 2 = 2 3 = 3 4 = 4 5 = 5 6 = 6 7 = 7 8 = 8 9 = 9 10 = 10 11 = 11 12 = 12 13 = 13 14 = 14 15 = 15 16 = 16 17 = 17 18 = 18 19 = 19 20 = 20 21 = 21 22 = 22 23 = 23 24 = 24 25 = 25 26 = 26 27 = 27 28 = 28 29 = 29 30 = 30 31 = 31 32 = 32 33 = 33 34 = 34 35 = 35 36 = 36 37 = 37 38 = 38 39 = 39 40 = 40 41 = 41 42 = 42 43 = 43 44 = 44 45 = 45 46 = 46 47 = 47 48 = 48 49 = 49 50 = 50 51 = 51 52 = 52 53 = 53 54 = 54 55 = 55 56 = 56 57 = 57 58 = 58 59 = 59 60 = 60 61 = 61 62 = 62 63 = 63 64 = 64 65 = 65 66 = 66 67 = 67 68 = 68 69 = 69 70 = 70 71 = 71 72 = 72 73 = 73 74 = 74 75 = 75 76 = 76 77 = 77 78 = 78 79 = 79 80 = 80 81 = 81 82 = 82 83 = 83 84 = 84 85 = 85 86 = 86 87 = 87 88 = 88 89 = 89 90 = 90 91 = 91 92 = 92 93 = 93 94 = 94 95 = 95 96 = 96 97 = 97 98 = 98 99 = 99 100 = 100	GENERAL TOLERANCES		TITLE			
	x.xxxx	±	---	USB 4.0 Type C 24P母座有后壳单壳 双贴SMT 板上平贴,L=8.17 脚长1.2		
	x.xxx	±	0.10	THIRD ANGLE PROJECTION		
	x.xx	±	0.25	UNIT	SCALE	SHEET NO.
	x.x	±	0.30	mm	1:1	2 OF 3
ANGULAR	±	---	DWG.NO. CF224-011			

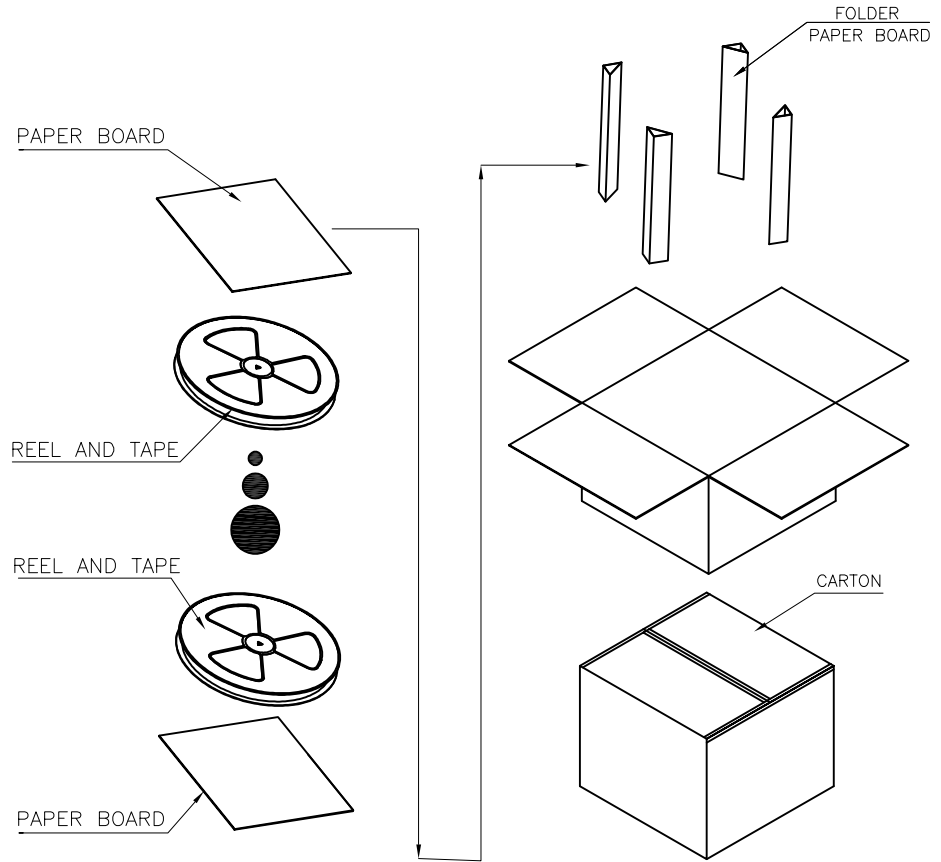
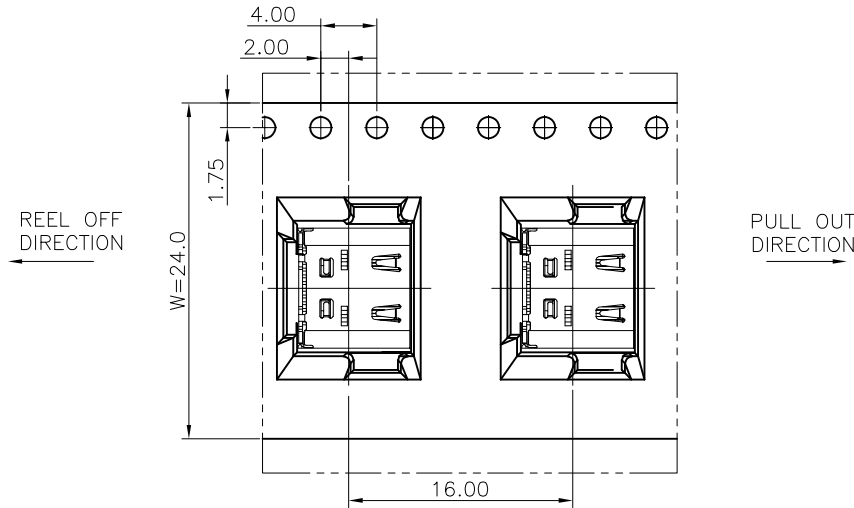
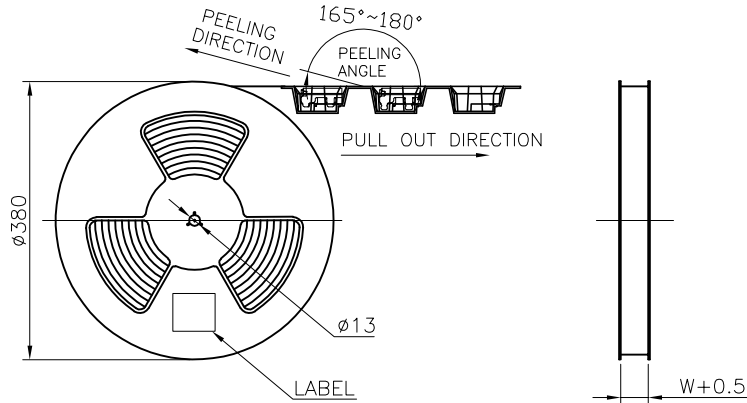
RoHS Compliant

THIS DRAWING CONTAINS INFORMATION THAT IS PROPRIETARY TO ZDT TECHNOLOGY, AND SHOULD NOT BE USED WITHOUT WRITTEN PERMISSION

REV	ECN No.	DATE	REMARK
A	NEW	2020.12.15	NEW RELEASE
B	ENC202308028	2023.08.28	图框变更



SEE DETAIL X



	REEL	CARTON
CONNECTOR (PCS)	1100	11000

PART NO.: SEE THE PART NUMBER CODE		ZDT 深圳市中科兴达科技有限公司 SHENZHEN ZDT TECHNOLOGY CO., LTD		DRAWN BY: SAM		
QUALITY SYMBOL	GENERAL TOLERANCES		TITLE USB 4.0 Type C 24P母座有后壳单壳 双贴SMT 板上平贴,L=8.17 脚长1.2			
	x.xxxx	± ---				CHECKED BY: JAY
	x.xxx	± 0.10				APPROVED BY: JACKY
	x.xx	± 0.25				DWG.NO. CF224-011
x.x	± 0.30	THIRD ANGLE PROJECTION	UNIT mm	SCALE 1:1	SHEET NO. 2 OF 3	
ANGULAR	± ---	frame size: A4				