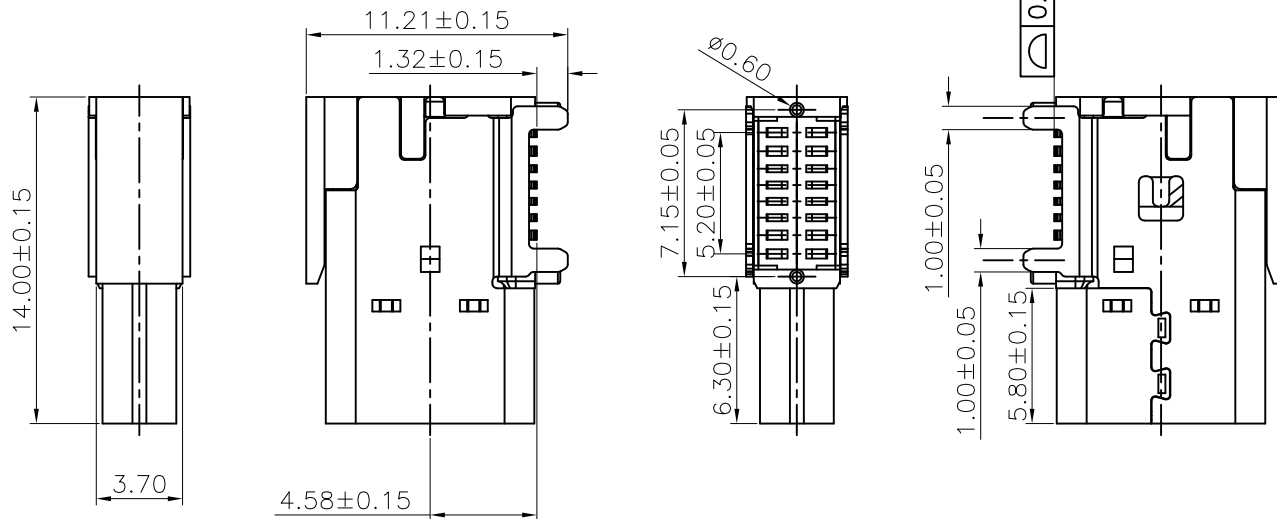


REV	ECN No.	DATE	REMARK
A	NEW	2023.08.12	NEW RELEASE



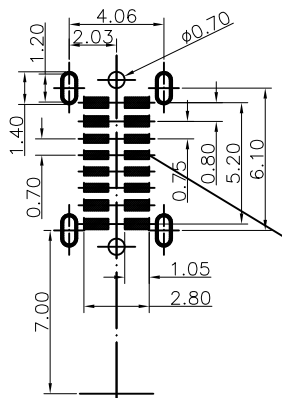
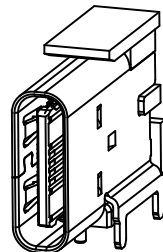
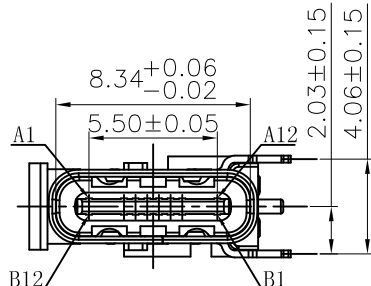
特性:

- 一、电气性能: ELECTRICAL
 1. 额定电流: 5.0A
 2. 接触阻抗: 40 MILLIOHMS MAX
 3. 耐电压: 100V AC / 1 mA MAX
 4. 绝缘阻抗: 150V DC/100 MEGA OHMS MIN
- 二、机械性能:
 1. 插入力: 5~20N ; 拨出力: 8~20N
 2. 使用寿命: 10000次
- 三、材料: MATERIAL
- 四、电镀: FINISH
 1. 端子: 接触点镀金1u"MIN
PIN脚焊接区域镀金G/F
 2. 外壳: 镀镍80u"MIN
- 五、电镀品需做粘锡测试: 粘锡面积达到95%以上。
- 六、SMT回流焊(峰值260° C±5° C)不能起泡、熔胶、变色不良(变形在公差范围以内)
- 七、工作温度: -55° C~+85° C
- 八、盐雾测试: 通过48H在浓度为5±1%盐水的盐雾测试无生锈现象

九. 产品料号:

CF 6 16 - 001 S L B 11 R - 02
(1)(2) (3) (4) (5) (6)

- (1) 产品形态: 16:侧插式
- (2) Pin No.: 16:16Pin
- (3) HOUSING MATERIALS: L:LCP
- (4) HOUSING COLOR: B:BLACK
- (5) CONTACTS PLATED: 11:接触镀金1u"其它GF
- (6) PACKING OPTIONS R:TAPE & REEL



B12	A1
B9	A4
B8	A5
B7	A6
B6	A7
B5	A8
B4	A9
B1	A12

PIN DEFINITION:

PIN No.	A1	A4	A5	A6	A7	A8	A9	A12
	GND	VBus	CC1	D+	D-	SBU1	VBus	GND
PIN No.	B12	B9	B8	B7	B6	B5	B4	B1
	GND	VBus	SBU2	D-	D+	CC2	VBus	GND

RECOMMENDED P.C.B LAYOUT
TOLERANCE ± 0.05mm (TOP VIEW)

备注:

序号	名称	用量	品名规格
1	外壳	1	Typec侧贴16PIN H=4.58外壳 SUS304 T=0.30mm
2	Molding 3	1	Typec侧贴 SMT 16PIN Molding C7025 LCP黑色 H=4.58 半成品
2.1	Molding 1	1	Typec侧贴 SMT 16PIN Molding A C7025 LCP黑色 H=4.58
2.2	Molding 2	1	Typec侧贴 SMT 16PIN Molding B C7025 LCP黑色 H=4.58
2.3	卡勾	1	Typec侧贴 SMT 16PIN 卡勾 SUS301 T=0.15mm

PART NO.: SEE THE PART NUMBER CODE	
QUALITY SYMBOL	GENERAL TOLERANCES
0	x.xxxx ± ---
1	x.xxx ± 0.10
2	x.xx ± 0.25
3	x.x ± 0.30
4	ANGULAR ± ---*

ZDT 深圳市中科兴达科技有限公司
SHENZHEN ZDT TECHNOLOGY CO., LTD

TITLE
USB TYPE-C F 16PIN侧插SMT CH=4.58

THIRD ANGLE PROJECTION	UNIT mm	SCALE 1:1	SHEET NO. 1 OF 1	DWG.NO. CF616-001-02
------------------------	---------	-----------	------------------	----------------------

DRAWN BY: SAM
CHECKED BY: JAY
APPROVED BY: JACKY