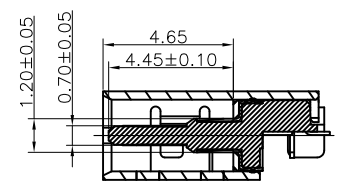
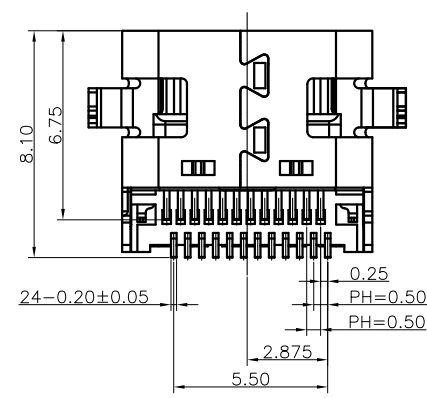
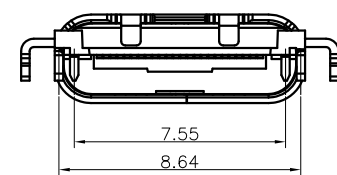
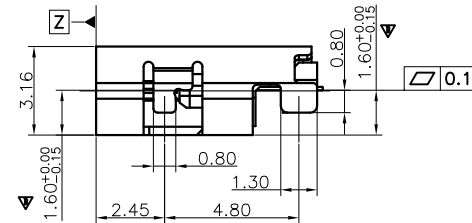
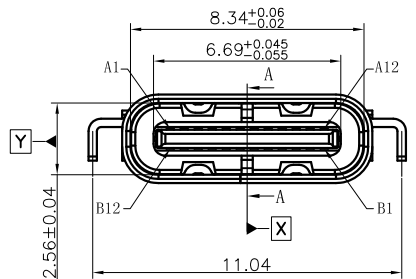
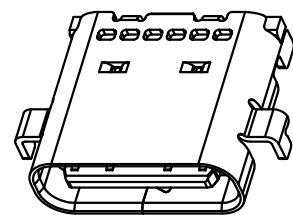
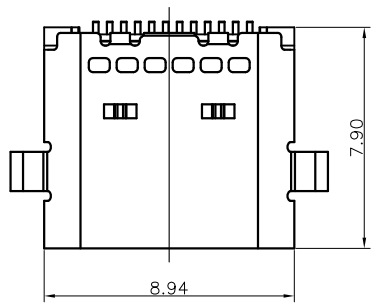


RoHS Compliant

THIS DRAWING CONTAINS INFORMATION THAT IS PROPRIETARY TO ZDT TECHNOLOGY, AND SHOULD NOT BE USED WITHOUT WRITTEN PERMISSION

TID NO. 10566

REV	ECN No.	DATE	REMARK
A	NEW	2021.01.02	NEW RELEASE
B	---	2023.08.12	增加沉板1.6管控公差



SECTION A-A  
SCALE 1:1

NOTE:  
 1.MATERIAL SPECIFICATION:  
 1-1.HOUSING:HIGH TEMPERATURE RESISTANT PLASTIC,UL94 V-0.  
 1-2.TERMINAL: COPPER ALLOY  
 1-3.MID PLATE: STAINLESS STEEL(SUS301 T=0.15mm)  
 1-4.FRONT SHELL: STAINLESS STEEL(SUS304 T=0.3mm)  
 1-5.EMI PLATE: STAINLESS STEEL(SUS304 T=0.10mm)  
 2.PLATING SPECIFICATION:  
 2-1.TERMINAL:  
 Ni 50u" MIN. UNDER PLATED OVER ALL.  
 Au PLATED ON THE FUNCTIONAL AREA OF CONTACT.  
 (GOLD PLATING THICKNESS FOLLOW THE P/N)  
 PLATING SPECIFICATIONS OF THE SOLDER AREA FOLLOW THE P/N  
 2-2.FRONT SHELL:  
 Ni 30u" MIN. UNDER PLATED OVER ALL.  
 2-3.MID PLATE  
 CLEAR ONLY  
 2-4.EMI PLATE:  
 Ni 30u" MIN. UNDER PLATED OVER ALL.  
 3.MECHANICAL PERFORMANCE,  
 3-1.INSERTION FORCE: 0.5~2.0kgf.  
 3-2.REMOVAL FORCE: 0.8kgf~2.0kgf.  
 3-3.DURABILITY: 10000 CYCLES.  
 4.ELECTRICAL PERFORMANCE,  
 4-1. VOLTAGE RATING:5V/20V DC/AC (RMS. max)  
 CURRENT RATING:5 AMPS. FOR TOTAL VBUS/GND PINS;  
 1.25AMPS FOR CC PIN,0.25 AMPS. FOR ALL OTHER CONTACT.  
 4-2. LLCR:.  
 VBUS & GND PINS AND OTHER PINS: 40mA/PIN MAX.  
 SHIELD: 50mA/MAX.  
 LLCR MAX. CHANGE OF ALL PINS: 10mA.  
 4-3.INSULATION RESISTANCE: 100MΩ MIN  
 4-4.DIELECTRIC WITHSTAND VOLTAGE,AC 100V FOR 1 MINUTE.  
 5. ENVIRONMENTAL PERFORMANCE:  
 OPERATING TEMPERATURE: -25°C~+85°C.  
 6.IR REFLOW:  
 THE PEAK TEMPERATURE ON THE BOARD SHALL  
 BE MAINTAINED FOR 10 SECONDS AT 260°C.  
 7. PART NUMBER CODE:

CF324 - 006 S X X XX R - 02  
 HOUSING MATERIAL: L:LCP  
 HOUSING COLOR: B:BLACK  
 CONTACTS PLATED:  
 12:接触镀金3u"其它GF  
 14:接触镀金15u"其它GF  
 PACKING OPTIONS  
 R:卷装

PART NO.: SEE THE PART NUMBER CODE		深圳市中兴科达科技有限公司 SHENZHEN ZDT TECHNOLOGY CO., LTD		DRAWN BY: Huangxianghao	
QUALITY SYMBOL	○	GENERAL TOLERANCES		CHECKED BY: JAY	
	△	x.xxxx	± ---	APPROVED BY: Liuzongliang	
	▽	x.xxx	± 0.10	DWG.NO. CF324-006-02	
	◇	x.xx	± 0.25	THIRD ANGLE PROJECTION	
	◻	x.x	± 0.30	UNIT mm	SCALE 1:1
▲	ANGULAR	± ---	DRAWN BY: Huangxianghao		frame size: A4

TITLE  
USB TYPE C FEMALE 24PIN双排沉板1.6

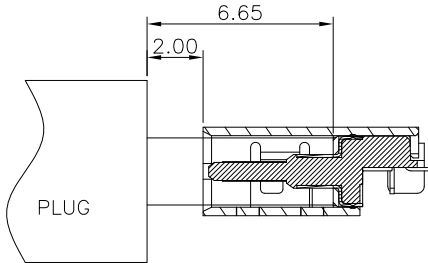
DWG.NO.  
CF324-006-02

RoHS Compliant 

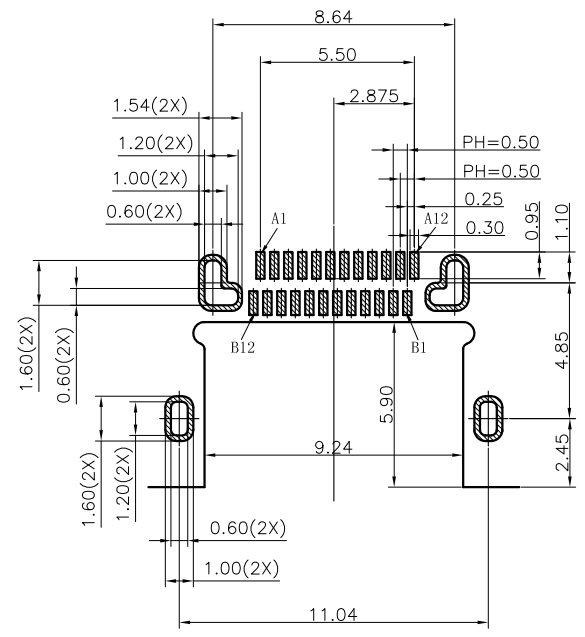
THIS DRAWING CONTAINS INFORMATION THAT IS PROPRIETARY TO ZDT TECHNOLOGY. AND SHOULD NOT BE USED WITHOUT WRITTEN PERMISSION

REV	ECN No.	DATE	REMARK
A	NEW	2021.01.02	NEW RELEASE
B	---	2023.08.12	增加沉板1.6管控公差

TID NO. 10566









AFTER MATING



RECOMMEND P.C.B LAYOUT(COMPONENT SIDE)  
TOLERANCE FOR PCB LAYOUT IS ±0.05

PIN DEFINITION:

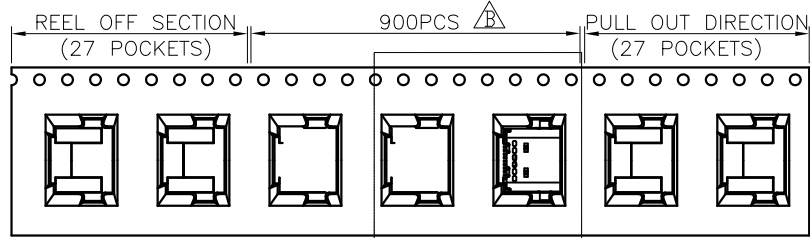
PIN No.	A1	A2	A3	A4	A5	A6	A7	A8	A9	A10	A11	A12
	GND	TX1+	TX1-	VBus	CC1	D+	D-	SBU1	VBus	RX2-	RX2+	GND
PIN No.	B12	B11	B10	B9	B8	B7	B6	B5	B4	B3	B2	B1
	GND	RX1+	RX1-	VBus	SBU2	D-	D+	CC2	VBus	TX2-	TX2+	GND

PART NO.: SEE THE PART NUMBER CODE		 深圳市中科兴达科技有限公司 SHENZHEN ZDT TECHNOLOGY CO., LTD		DRAWN BY: Huangxianghao		
QUALITY SYMBOL		GENERAL TOLERANCES		TITLE		
		x.xxxx	± ---	USB TYPE C FEMALE 24PIN双排沉板1.6		
		x.xxx	± 0.10	THIRD ANGLE PROJECTION		
		x.xx	± 0.25	UNIT	SCALE	SHEET NO.
		x.x	± 0.30	mm	1:1	2 OF 3
	ANGULAR	± ---°	DWG.NO. CF324-006-02			

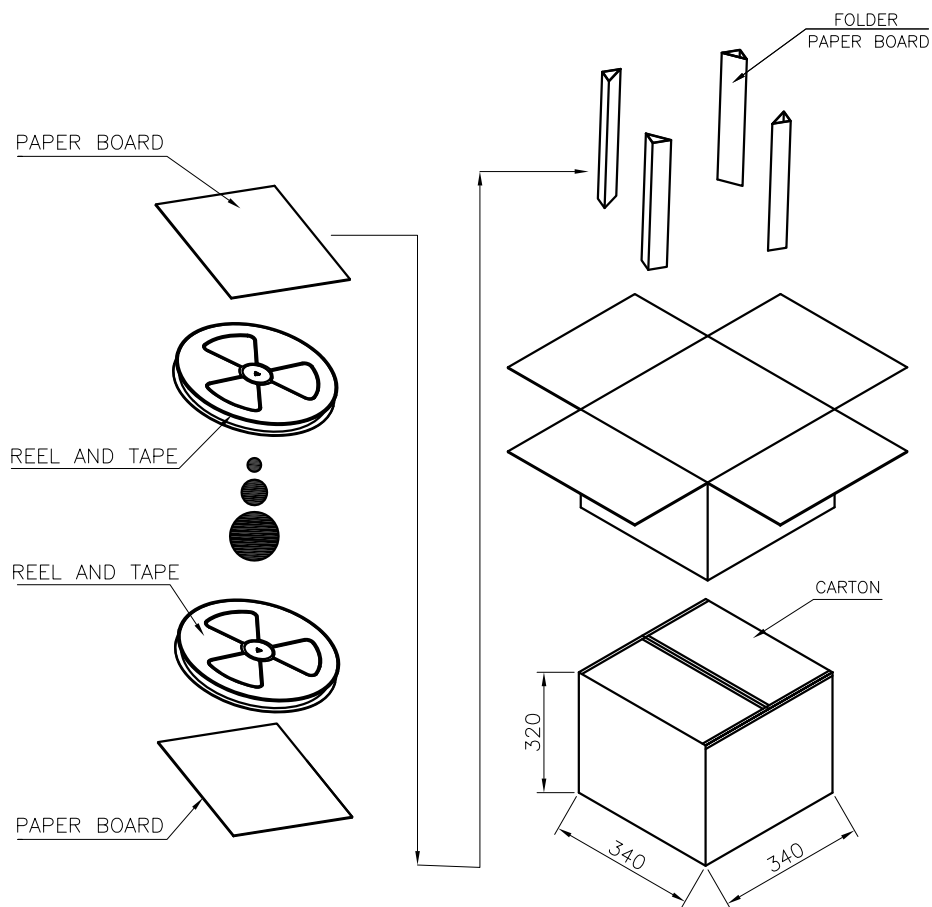
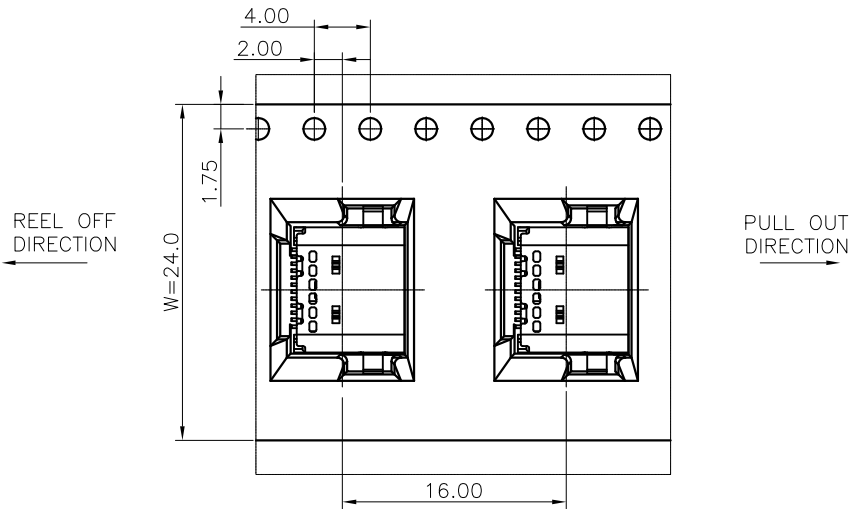
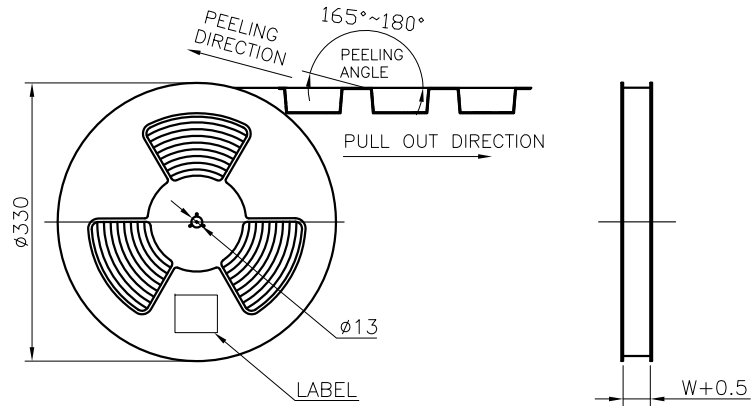
RoHS Compliant

THIS DRAWING CONTAINS INFORMATION THAT IS PROPRIETARY TO ZDT TECHNOLOGY. AND SHOULD NOT BE USED WITHOUT WRITTEN PERMISSION

REV	ECN No.	DATE	REMARK
A	NEW	2021.01.02	NEW RELEASE
B	ECR230722-003	2023.07.22	依实物1000PCS=>900PCS



SEE DETAIL X



	REEL	CARTON
CONNECTOR (PCS)	900	9000

PART NO.: SEE THE PART NUMBER CODE		<b>ZDT</b> 深圳市中科兴达科技有限公司 SHENZHEN ZDT TECHNOLOGY CO., LTD		DRAWN BY: Huangxianghao	
QUALITY SYMBOL	GENERAL TOLERANCES		TITLE		
	x.xxxx	± --	USB TYPE C FEMALE 24PIN双排沉板1.6		
	x.xxx	± 0.10	THIRD ANGLE PROJECTION		
	x.xx	± 0.25	UNIT	SCALE	SHEET NO.
x.x	± 0.30	mm	1:1	3 OF 3	
ANGULAR	± --	DWG.NO. CF324-006-02			

frame size: A4