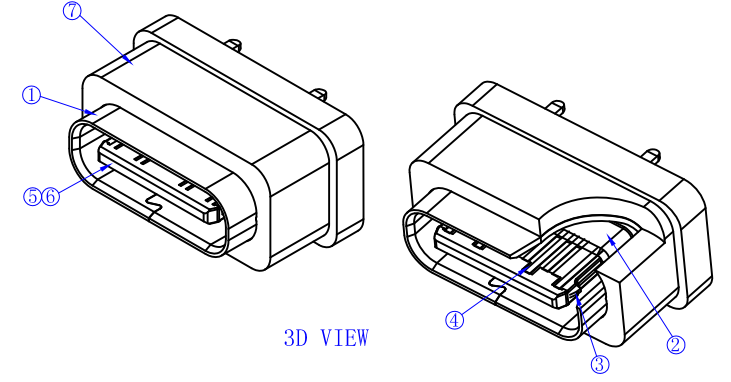
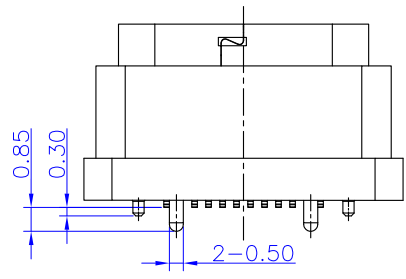
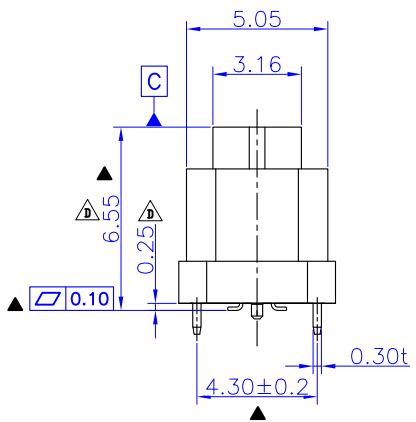
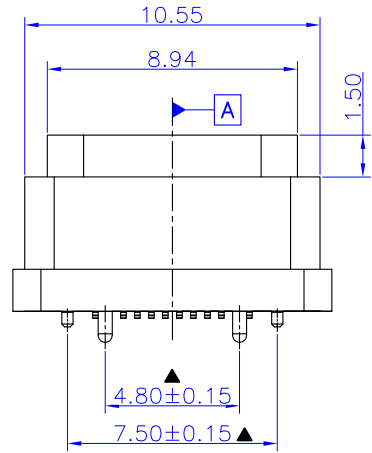
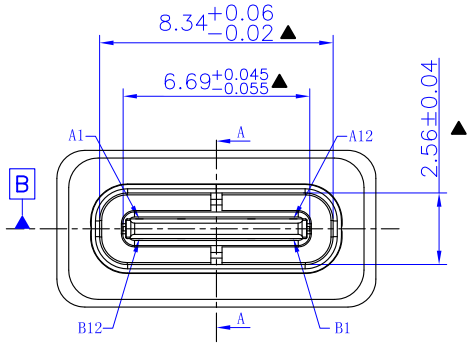


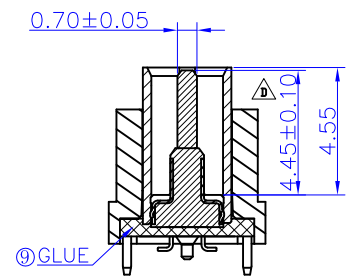
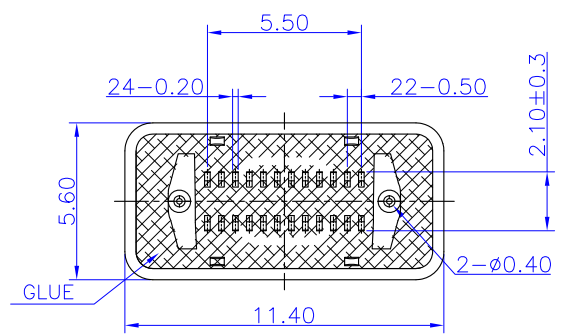
RoHS Compliant



| REV | ECN No. | DATE       | REMARK                         |
|-----|---------|------------|--------------------------------|
| A   | NEW     | 2023.03.13 | NEW RELEASE                    |
| B   | ---     | 2023.06.20 | 变更新料号WCF24002-02=>CFW24-010-02 |
| C   | ---     | 2023.08.01 | 增加机壳面板尺寸示意图                    |
| D   | ---     | 2023.12.28 | 优化产品结构, 改善胶水爬胶不良               |



3D VIEW



Section:A-A

TABLE:

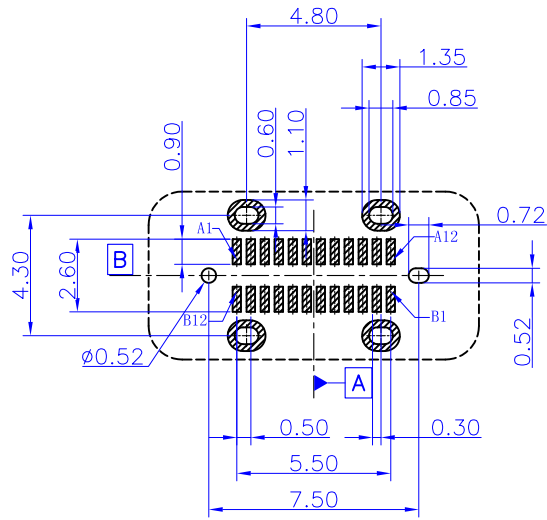
| NO | PART          | Q'TY | Material  |
|----|---------------|------|---|
| 1  | SHELL         | 1    | STAINLESS STEEL 304, NI 30u" MIN PLATED   |
| 2  | EMI Plate     | 1    | STAINLESS STEEL 301,NI 30u" MIN PLATED  |
| 3  | Mid Plate     | 1    | STAINLESS STEEL 301, NO PLATED  |
| 4  | CONTACT       | 24   | COPPER STEEL C18400,CONTACT AREA: Au 3u" Min;<br>SOLDER TAIL: G/F,OVER ALL: 50u" Min NI UNDERPLATED |
| 5  | 1MD HOUSING   | 1    | LCP BLACK UL94 V-0  |
| 6  | 2MD HOUSING   | 1    | LCP BLACK UL94 V-0  |
| 7  | PLASTIC SHELL | 1    | NYLON BLACK UL94 V-0  |
| 8  | CAP           | 1    | LCP BLACK UL94 V-0  |
| 9  | GLUE          | -    | SILICONE  |

|                          |        |              |  |  |     |        |           |
|--------------------------|--------|--------------|--|--|-----|--------|-----------|
| PART NO.:                |        | DRAWN BY:    |  | 深圳市中兴科达科技有限公司<br>SHENZHEN ZDT TECHNOLOGY CO.,LTD                     |     |        |           |
| SEE THE PART NUMBER CODE |        | HuangXiaoHao |  |  |     |        |           |
| GENERAL TOLERANCES       |        | CHECKED BY:  |  | TITLE<br>USB TYPE-C RECEPTACLE 24PIN<br>VERTICALH=6.5 WATERPROOF(02) |     |        |           |
| x.xxxx                   | ± ---  | liuzongliang |  |  |     |        |           |
| x.xxx                    | ± 0.15 | APPROVED BY: |  | UNIT<br>SCALE<br>SHEET NO.<br>DWG.NO.                                |     |        |           |
| x.xx                     | ± 0.20 | Jacky        |  |  |     |        |           |
| x.x                      | ± 0.30 |              |  |  |     |        |           |
| ANGULAR                  | ± --°  |              |  | mm   | 1:1 | 1 OF 3 | CFW24-010 |

RoHS Compliant



| REV | ECN No. | DATE       | REMARK                         |
|-----|---------|------------|--------------------------------|
| A   | NEW     | 2023.03.13 | NEW RELEASE                    |
| B   | ---     | 2023.06.20 | 变更新料号WCF24002-02=>CFW24-010-02 |
| C   | ---     | 2023.08.01 | 增加机壳面板尺寸示意图                    |
| D   | ---     | 2023.12.28 | 优化产品结构, 改善胶水爬胶不良               |



RECOMMEND P.C.B LAYOUT(COMPONENT SIDE)  
TOLERANCE FOR PCB LAYOUT IS ±0.05

NOTE:  
1.ELECTRICAL PERFORMANCE,  
1-1. CURRENT RATING:5 AMPS. FOR TOTAL VBUS/GND PINS;  
1.25AMPS FOR CC PIN,0.25 AMPS. FOR ALL OTHER CONTACT.  
1-2. VOLTAGE RATING:20V DC/AC (RMS. MAX)  
1-3. LLCR:.  
VBUS & GND PINS AND OTHER PINS: 40MΩ/PIN MAX.  
SHIELD:50MΩ/MAX.  
LLCR MAX. CHANGE OF ALL PINS: 10MΩ.  
1-4.INSULATION RESISTANCE: 100MΩ MIN  
1-5.DIELECTRIC WITHSTAND VOLTAGE,AC 100V FOR 1 MINUTE.  
2.MECHANICAL PERFORMANCE,  
2-1.INSERTION FORCE: 5~20N.  
2-2.EXTRACTION FORCE: 8~20N.  
2-3.DURABILITY: 10000 CYCLES.  
3.ENVIRONMENTAL PERFORMANCE:  
OPERATING TEMPERATURE: -25°C~+85°C.  
4.IR REFLOW:  
THE PEAK TEMPERATURE ON THE BOARD SHALL  
BE MAINTAINED FOR 10 SECONDS AT 260°C.  
5.COMPLIANCE WITH ROHS REQUIREMENTS.  
6.SALT SPRAY:48H  
7. With "▲" for the key control size  
8.PART NUMBER CODE:  
CF W 24 - 010 S C B 12 XX  
(1)(2) (3)(4)(5)  
  
(1) Product type:  
W:WATERPROOF  
(2) Pin No.:  
24:24Pin  
(4) HOUSING COLOR:  
B:BLACK  
(5) CONTACTS PLATED:  
12:Au3u"  
(6) PACKING OPTIONS  
R:TAPE & REEL  
VR:TAPE & REEL+VACUUM PACKAGING

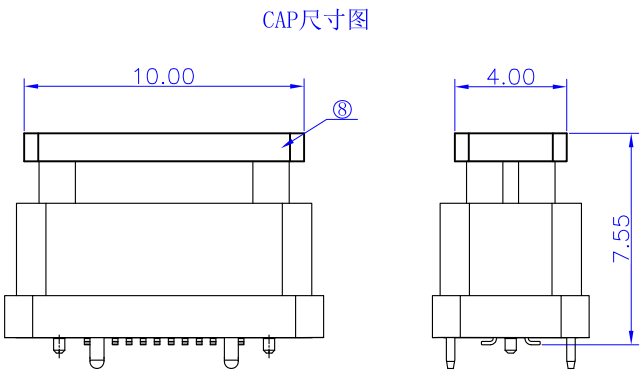
PIN DEFINITION:

| PIN No.     | A1  | A2   | A3   | A4   | A5  | A6 | A7 | A8   | A9   | A10  | A11  | A12 |
|-------------|-----|------|------|------|-----|----|----|------|------|------|------|-----|
| SIGNAL NAME | GND | TX1+ | TX1- | VBUS | CC1 | D+ | D- | SBU1 | VBUS | RX2- | RX2+ | GND |

| PIN No.     | B12 | B11  | B10  | B9   | B8   | B7 | B6 | B5  | B4   | B3   | B2   | B1  |
|-------------|-----|------|------|------|------|----|----|-----|------|------|------|-----|
| SIGNAL NAME | GND | RX1+ | RX1- | VBUS | SBU2 | D- | D+ | CC2 | VBUS | TX2- | TX2+ | GND |

|                          |              |  |
|--------------------------|--------------|--|
| PART NO.:                | DRAWN BY:    | 深圳市中科兴达科技有限公司<br>SHENZHEN ZDT TECHNOLOGY CO.,LTD                     |
| SEE THE PART NUMBER CODE | HuangXiaoHao |  |
| GENERAL TOLERANCES       | CHECKED BY:  | TITLE<br>USB TYPE-C RECEPTACLE 24PIN<br>VERTICALH=6.5 WATERPROOF(02) |
| x.xxx                    | liuzongliang |  |
| x.xxx                    | APPROVED BY: | UNIT<br>mm   |
| x.xx                     | Jacky        |  |
| x.x                      |              | SCALE<br>1:1   |
| ANGULAR                  |              | SHEET NO.<br>2 OF 3  |
|                          |              | DWG.NO.<br>CFW24-010   |

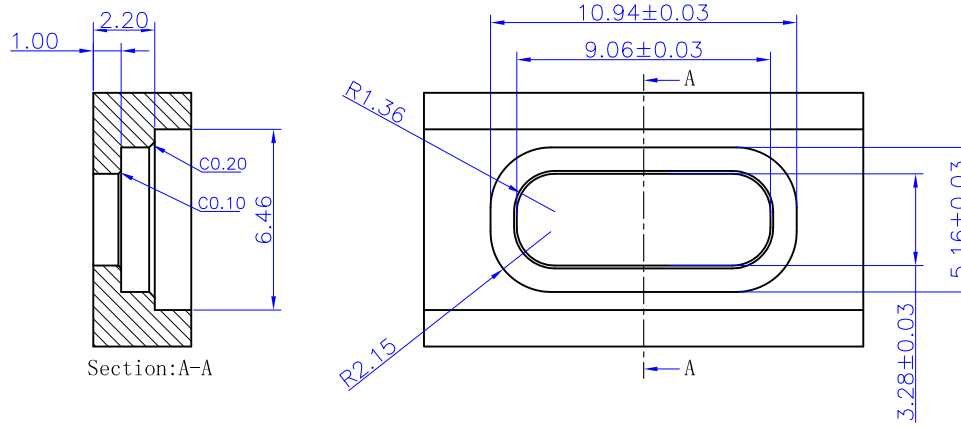


RoHS Compliant

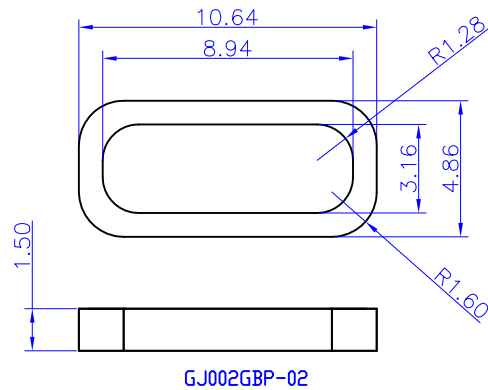


| REV | ECN No. | DATE       | REMARK                         |
|-----|---------|------------|--------------------------------|
| A   | NEW     | 2023.03.13 | NEW RELEASE                    |
| B   | ---     | 2023.06.20 | 变更新料号WCF24002-02=>CFW24-010-02 |
| C   | ---     | 2023.08.01 | 增加机壳面板尺寸示意图                    |
| D   | ---     | 2023.12.28 | 优化产品结构, 改善胶水爬胶不良               |

机壳开孔尺寸图  
SIZE DRAWING OF OPENING HOLE OF HOUSING



防水圈尺寸图  
DIMENSION DIAGRAM OF WATERPROOF RING

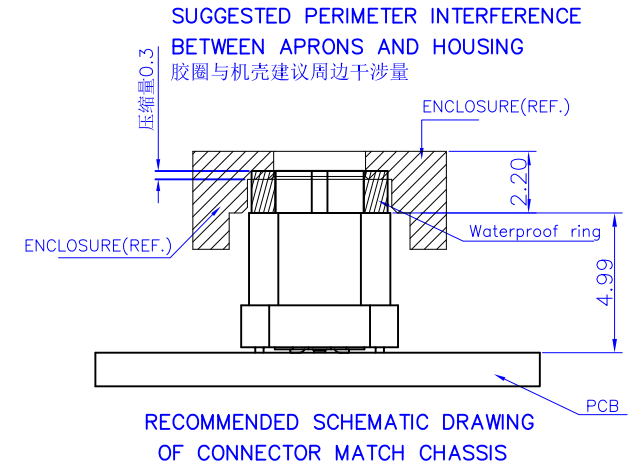


备注:

1. 材质: 硅胶黑色无卤, 耐高温270度, 硬度60+/-5 UL94V-2
2. 不可缺胶, 变形, 毛边, 脏污。

NOTES:

1. MATERIAL: SILICA GEL SI70A BLACK HALOGEN-FREE, HIGH TEMPERATURE RESISTANCE 270 DEGREES, HARDNESS 60 +/-5 UL94V-2
2. INDISPENSABLE GLUE, DEFORMATION, BURRS, DIRT.



|                          |  |              |  |   |  |
|--------------------------|--|--------------|--|---|--|
| PART NO.:                |  | DRAWN BY:    |  | 深圳市中科兴达科技有限公司<br>SHENZHEN ZDT TECHNOLOGY CO.,LTD            |  |
| SEE THE PART NUMBER CODE |  | HuangXiaoHao |  |   |  |
| GENERAL TOLERANCES       |  | CHECKED BY:  |  | TITLE   |  |
| x.xxxx ± ---             |  | liuzongliang |  |   |  |
| x.xxx ± 0.15             |  | APPROVED BY: |  | USB TYPE-C RECEPTACLE 24PIN<br>VERTICALH=6.5 WATERPROOF(02) |  |
| x.xx ± 0.20              |  | Jacky        |  |   |  |
| x.x ± 0.30               |  |              |  | UNIT  |  |
| ANGULAR ± ---°           |  |              |  | mm  |  |
|                          |  |              |  | SCALE   |  |
|                          |  |              |  | 1:1   |  |
|                          |  |              |  | SHEET NO.   |  |
|                          |  |              |  | 3 OF 3  |  |
|                          |  |              |  | DWG.NO.   |  |
|                          |  |              |  | CFW24-010   |  |