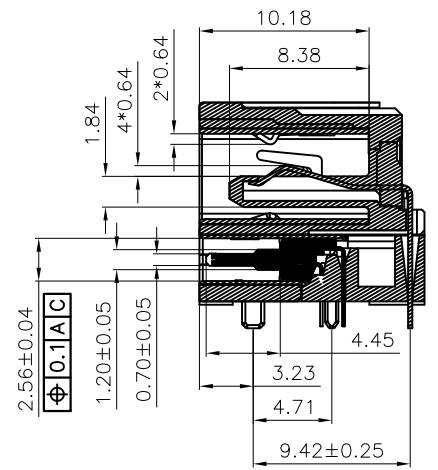
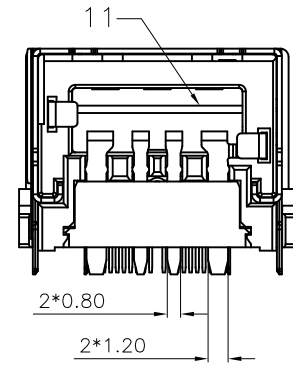
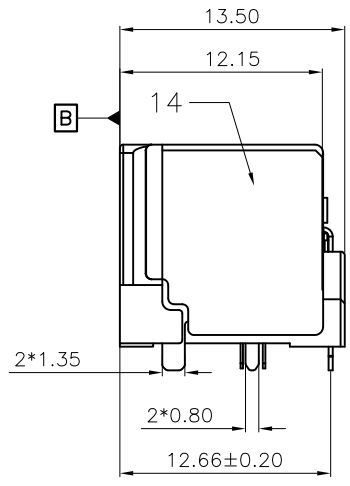
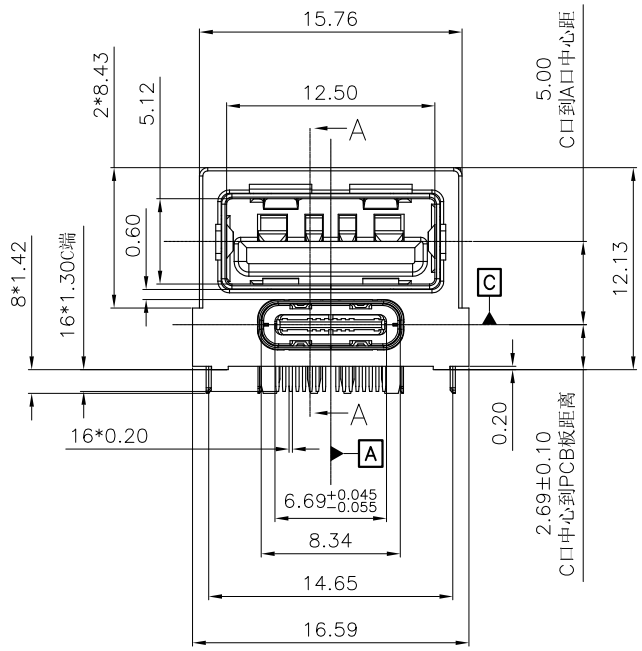
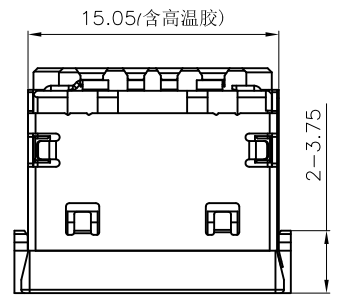
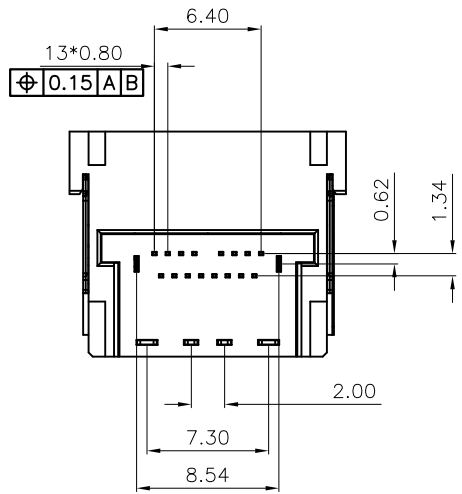


REV	ECN No.	DATE	REMARK
A	NEW	2024.01.25	NEW RELEASE



SECTION: A-A



Pin Assignments(A端) :

Pin	Signal Name	Description
1	GND	Ground return
2	D+	Positive half of the USB2.0 differential pair-Position 1
3	D-	Negative half of the USB2.0 differential pair-Position 2
4	VBUS	Bus Power

Pin Assignments(C端) :

PIN No.	A1	A4	A5	A6	A7	A8	A9	A12
SIGNAL NAME	GND	VBus	CC1	D+	D-	SBU1	VBus	GND

PIN No.	B12	B9	B8	B7	B6	B5	B4	B1
SIGNAL NAME	GND	VBus	SBU2	D-	D+	CC2	VBus	GND

NO	PART NAME	MATERIAL	Q'TY	FINISH
14	MYLAR	MYLAR	1PCS	茶色
13	主体后塞胶芯	LCP	1PCS	HF 橙色 UL94 V-0
12	屏蔽外壳	SUS 304 ,T0.30	1PCS	镀镍50U <sup>7</sup> Min
11	USB端子Molding件	LCP	1PCS	HF 橙色 UL94 V-0
10	USB 端子	C7025 T=0.25mm	1set	SEE P/N,Ni 50u MIN.
09	USB主体胶芯	LCP	1PCS	HF 橙色 UL94 V-0
08	USB 外壳	SUS 304 T=0.30mm	1PCS	镀镍50U <sup>7</sup> Min
07	TYPE-C外壳	SUS 304 ,T=0.20mm	1PCS	镀镍50U <sup>7</sup> Min
06	二次Molding件	LCP	1PCS	HF 橙色 UL94 V-0
05	下排Molding件	LCP	1PCS	HF 橙色 UL94 V-0
04	上排Molding件	LCP	1PCS	HF 橙色 UL94 V-0
03	中夹片	SUS301 T=0.15mm	1PCS	不电镀
02	下排端子	C18400 T=0.15mm	1set	SEE P/N,Ni 50u MIN.
01	上排端子	C18400 T=0.15mm	1set	SEE P/N,Ni 50u MIN.

**PART NO.:** SEE THE PART NUMBER CODE  
**DRAWN BY:** HuangXiaoHao  
**CHECKED BY:** liuzongliang  
**APPROVED BY:** Jacky

**GENERAL TOLERANCES**  
x.xxxx ± ---  
x.xxx ± 0.10  
x.xx ± 0.25  
x.x ± 0.30  
ANGULAR ± 3°

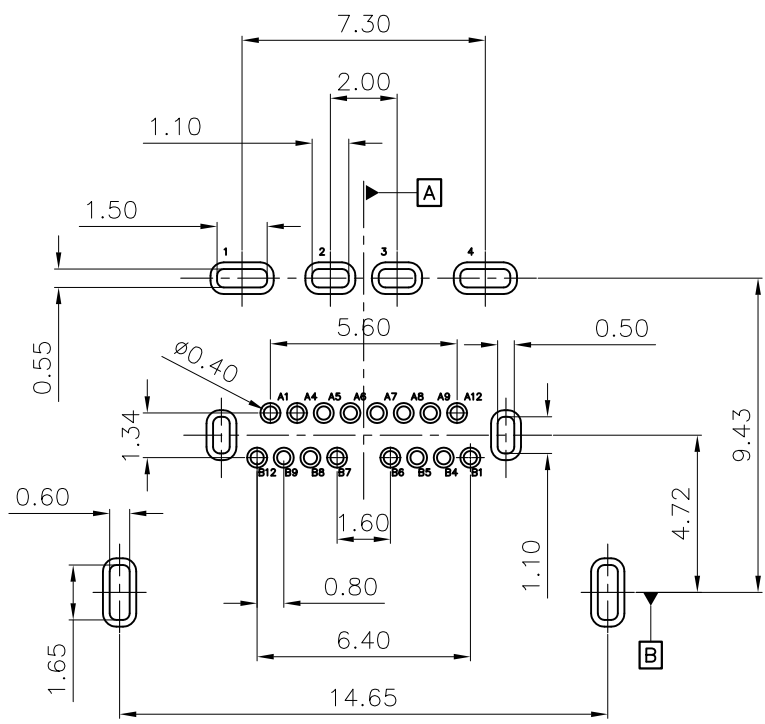
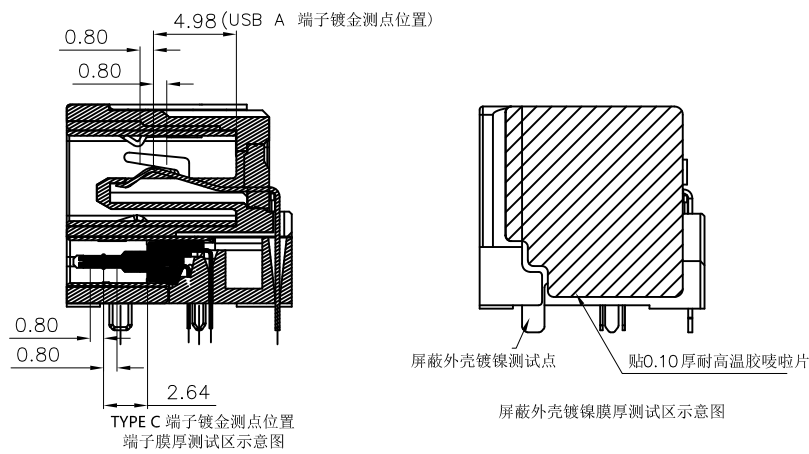
**THIRD ANGLE PROJECTION**

**DIMENSIONS** mm  
**SCALE** 1:1  
**DRAWING** A4  
**SHEET NO.** 1 OF 2  
**DWG.NO.** CF216-029-01

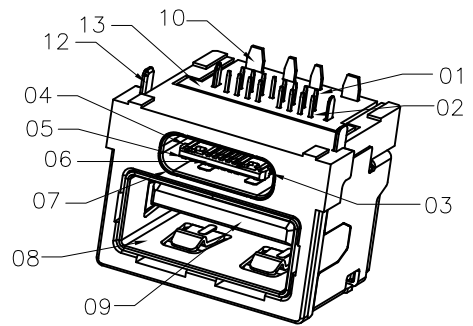
**ZDT 深圳市中科兴达科技有限公司**  
SHENZHEN ZDT TECHNOLOGY CO.,LTD

**TITLE**  
USB A 2.0 +USB TYPE-C 16PIN DOUBLE ROW DIP

REV	ECN No.	DATE	REMARK
A	NEW	2024.01.25	NEW RELEASE



RECOMMENDED PCB  
LAYOUT(TOP VIEW)  
DEFAULT TOLERANCE:±0.05  
SCALE:2:1



3D VIEW

- NOTE:
- 1.USB TYPE-C:
    - 1).ELECTRICAL PERFORMANCE,
      - 1-1. CURRENT RATING:7A
      - 1-2. LLCR:..
        - VBUS & GND PINS AND OTHER PINS: 40MΩ/PIN MAX.
        - SHIELD:50MΩ/MAX.
        - LLCR MAX. CHANGE OF ALL PINS: 10MΩ.
      - 1-3.INSULATION RESISTANCE: 100MΩ MIN
      - 1-4.DIELECTRIC WITHSTAND VOLTAGE,AC 100V FOR 1 MINUTE.
    - 2).MECHANICAL PERFORMANCE,
      - 2-1.INSERTION FORCE: 5~20N.
      - 2-2.EXTRACTION FORCE: 8~20N.
      - 2-3.DURABILITY: 10000 CYCLES.
  - 2.USB A TYPE:
    - 1).ELECTRICAL PERFORMANCE,
      - 1-1. CURRENT RATING:7A
      - 1-2. LLCR:..30mΩ MAX.
      - 1-3.INSULATION RESISTANCE: 1000MΩ MIN
      - 1-4.DIELECTRIC WITHSTAND VOLTAGE,AC 500V FOR 1 MINUTE.
    - 2).MECHANICAL PERFORMANCE,
      - 2-1.INSERTION FORCE: 35N MAX.
      - 2-2.EXTRACTION FORCE: 10N MIN.
      - 2-3.DURABILITY: 3000CYCLES.
  - 3.ENVIRONMENTAL PERFORMANCE:
    - OPERATING TEMPERATURE: -25°C~+85°C.
  - 4.IR REFLOW:
    - THE PEAK TEMPERATURE ON THE BOARD SHALL BE MAINTAINED FOR 10 SECONDS AT 260°C.
  - 5.COMPLIANCE WITH ROHS REQUIREMENTS.
  - 6.SALT SPRAY:48H
  - 7.PART NUMBER CODE:

CF 2 16 - 029 S X X XX R - 01  
(1)(2) (3) (4) (5) (6)

- (1) Product type:
  - 2:TOP-MOUNT
- (2) Pin No.:
  - 16:16Pin
- (3) HOUSING MATERIALS:
  - L:LCP
- (4) HOUSING COLOR:
  - 0:Orange
- (5) CONTACTS PLATED:
  - 02:Contact Area: Au 3u"
- (6) PACKING OPTIONS:
  - R:TAPE & REEL

PART NO.: SEE THE PART NUMBER CODE		DRAWN BY: HuangXiaoHao		ZDT 深圳市中兴科达科技有限公司 SHENZHEN ZDT TECHNOLOGY CO.,LTD									
GENERAL TOLERANCES		CHECKED BY: liuzongliang						TITLE USB A 2.0 +USB TYPE-C 16PIN DOUBLE ROW DIP					
x.xxxx	± ---	APPROVED BY: Jacky		THIRD ANGLE PROJECTION		DIMENSIONS	SCALE	DRAWING	SHEET NO.	DWG.NO.			
x.xxx	± 0.10	ANGULAR		mm		1:1		A4		2 OF 2		CF216-029-01	
x.xx	± 0.25												
x.x	± 0.30												
ANGULAR	± 3°												